

## SM Series

### LOW PROFILE IoT MIMO ANTENNA

#### PRODUCT OVERVIEW

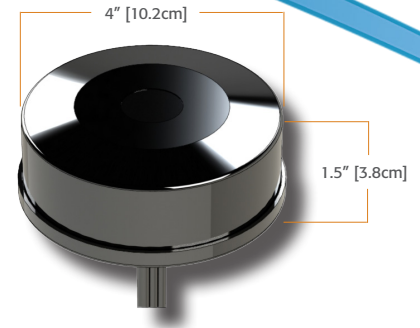
The SM series is compact, easy to install, and low-profile. Its small size makes it ideal for many WiFi and 5G IoT applications that require multiple wireless connections in a very small footprint.

- **Small and Powerful:** the SM series features a maximum (4x) 5G Sub-6, (1x) Wifi 6e/7, and (1x) GNSS or a maximum (5x) Wifi 6e/7, and (1x) GNSS. Covering all the Cellular and GNSS frequencies, supporting GPS, Galileo, Glonass, QZSS, and Beidou, and cellular elements deliver 4x4 MIMO for Dual-Carrier networks.
- **Configurable;** the SM series can be tailored to meet your needs. Purposely built to your specific application. For instance, Tri-band GNSS (L1, L2, L5) or GPS-only options are available.
- **Built to last.** Capitalizing on a heavy-duty, UV rated ASA radome, the SM series is water resistant, vibration and shock resistant (impact rated to IK07) making it ideal for outdoor and industrial applications.
- **Rapid Delivery;** need it fast? Two (2) weeks or less, "We got you". In fact, half of all our deliveries are delivered before the scheduled ship date.


Tested and trusted, Mobile Mark focuses on quality, fast delivery, and leveraging the expertise of highly skilled professionals, specializing in customizable manufacturing solutions across North America and Europe. By combining advanced technologies with comprehensive team knowledge, we ensure tailored products that meet diverse needs, all delivered efficiently to exceed expectations.

To Purchase, visit [www.TheAntennaStore.com](http://www.TheAntennaStore.com).

Electrical Specifications		
Frequency & Gain	5G	617-960 MHz, 2 dBi Peak 960-1710 MHz, 2.5 dBi Peak 1710-7200 MHz, 3 dBi Peak
	WiFi 6E/7	2.4-2.5 GHz, 5 dBi Peak 4.9-7.2 GHz, 5 dBi Peak
	GNSS	1561, 1575 & 1602 MHz
	Tri-band GNSS (Optional)	1575, 1227, & 1176 MHz
VSWR	< 2.5:1 max	
Impedance	50 Ohms Nominal	
Power Rating	10 Watts max	
GNSS/GPS	Amplifier Gain & Bias Voltage	GPS L1, Galileo E1, GLONASS L1, BeiDou B1, and QZSS L1C LNA 26 dB ±3 dB/Element 4 dBiC +3 to +5 VDC
	Current	20 mA max, 10 mA typical
Noise Figure	1.7dB typical, 2.0 dB max	
Polarization	5G: Vertical, GNSS/GPS: R.H.C.P.	
Mechanical Specifications		
Radome Material & Color	UV Stable ASA, Available in Black or White	
Radome Dimension	4.0" Diameter (10.2cm) x 1.5" Height (3.8cm)	
Standard Connectors	SMA Plugs (M)	
Cables	LMR100 Cables for 5G Sub-6 & WiFi 6E/7, 12" (30.5cm) RG-174 Cable for GNSS, 12" (30.5cm)	
Operating Temperature	-40° to +80° C	
Mounting	3/4" (1.9cm) Hole, Panel Thickness 3/8" (1cm) Ground Plane Independent	
Dust & Water Ingress	IP67	
Shock and Vibration	IEEE-1478, EN 61373, MIL-810G, TIA 329.2-C	
RoHS Compliant	Yes	



#### HIGHLIGHTS:

- Configurable w/multiple 5G, WiFi 6E/7, GNSS
- Low Profile
- Rugged
- Easy to Install
- Fast Delivery
- Manufactured in North America & Europe 

#### COMMON APPLICATIONS:

- Vending Machines
- Kiosks
- Roadside Cabinets
- Utility Enclosures
- Automotive

#### SM SERIES - PRODUCT MODELS:

- SMG - 5G, WiFi, GNSS
- SMT - 5G, WiFi, Tri-Band GNSS
- SM - 5G, WiFi, GPS

#### BANDS:

- 5G NR: n1, n2, n3, 4, n5, 6, n7, n8, n12, n13, n14, n18, n20, n24, n25, n26, n28, n29, n30, n34, n38, n39, n40, n41, n46, n47, n48, n50, n53, n54, n65, n66, n67, n70, n71, n74, n75, n76, n77, n78, n79, n80, n81, n82, n83, n84, n85, n86, n89, n90, n91, n92, n93, n94, n95, n96, n97, n98, n99, n100, n101, n102, n104, n105, n106, n109
- LTE: 1, 2, 3, 4, 5, 6, 7, 8, 9, 10, 11, 12, 13, 14, 17, 18, 19, 20, 21, 22, 23, 25, 26, 27, 28, 29, 30, 32, 33, 34, 35, 36, 37, 38, 39, 40, 41, 42, 43, 44, 45, 46, 47, 48, 49, 50, 51, 52, 53, 54, 65, 66, 67, 68, 69, 70, 71, 74, 75, 76, 77, 78, 79, 80, 81, 82, 83, 84, 85, 86, 89, 90, 95, 96, 98, 100, 101, 102, 103, 104, 105, 106, 107, 252, 255



US Headquarters +1.847.671.6690 • US/CA Toll Free +1.800.648.2800  
European Facility +44.1543.459555 • [www.MobileMark.com](http://www.MobileMark.com)

Moving Wireless Forward®