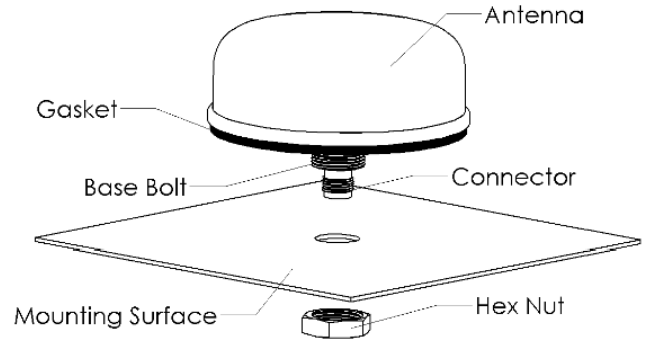


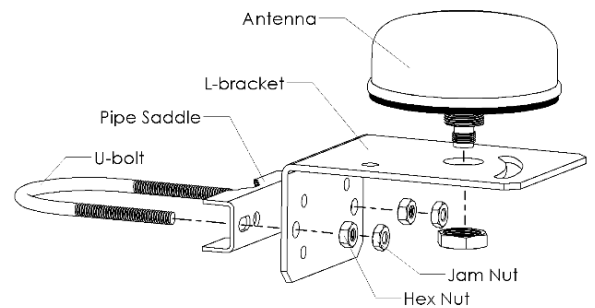
NT 1575 Installation Instructions

INSTALLATION STEPS:

- Drill a 3/4" (19mm) diameter hole through the mounting surface (1 sq-ft ground plane recommended)
- Remove all the paper from the gasket.
- Feed Base Bolt and Connector through the hole.
- OPTIONAL: If additional sealing is required, a bead of silicone can be applied to the gasket
- Tighten nut to 5 lb./ft. (6.8 Nm).
NOTE: DO NOT overtighten
- NOTE: If the underside of the base bolt is exposed, a sealant is required
- ATTENTION: Always wear safety glasses and follow the proper safety practices when installing this antenna.



Shown: Surface Mount



Shown: Optional Pipe Mount

950-028-9-001-0218

SM

REV. A



[Terms and Conditions](#)



Toll Free: 1-800-648-2800
Phone: 1-847-671-6690
Fax: 1-847-250-5120
Email: info@mobilemark.com



Phone: +44 1543 459555
Fax: +44 1543 459545
Email: inquiries@mobilemarkeurope.co.uk



Mobilemark.com