

## WARNING

You could be killed if this antenna comes in contact with electric power lines or is brought into proximity of any high voltage electric field. For your own safety, use extreme caution when installing this antenna. Always keep away from power lines

## WARRANTY

Mobile Mark, Inc. (Seller) warrants to Buyer that the products for a period of two years from the date of shipment will be free from defects of material and workmanship, and will be in accordance with specifications referred to herein. Seller's sole obligation under these warranties will be limited to either, at Seller's option and expense, repairing, or furnishing a replacement F.O.B. First point of shipment for the products or parts thereof which Seller reasonably determines do not conform with these warranties, and Buyer's exclusive remedy for breach of any of such warranties will be enforcement of such obligations of Seller. THE FOREGOING WARRANTIES ARE EXCLUSIVE AND IN LIEU OF ALL OTHER WARRANTIES OF MERCHANTABILITY, FITNESS FOR PURPOSE AND OF ANY OTHER TYPE, WHETHER EXPRESS OF IMPLIED. IN NO EVENT SHALL SELLER BE LIABLE FOR CONSEQUENTIAL DAMAGES, nor shall Seller's liability on any claims for damages arising out of or connected with the sales contract for the manufacture, sale, delivery or use of the products exceed the purchase price of the products. Any action for breach of warranty must be commenced within one year after the cause of action accrues.

www.mobilemark.com  
US Tel: 1-847-671-6690 UK Tel: (+44) 1543-459555  
Moving Wireless Forward®



Y22XX, Y33XX, Y33XXX  
Yagi Antennas



## INSTALLATION INSTRUCTIONS

www.mobilemark.com  
US Tel: 1-847-671-6690 UK Tel: (+44) 1543-459555  
Moving Wireless Forward®

### Yagi Antennas

Y224X

Y228X

Y334X

Y338X

Y33XXX

Congratulations on your purchase of a Mobile Mark Yagi antenna.

Every Mobile Mark Yagi is 100% inspected and is designed to provide excellent performance and reliability for many years.

When choosing an antenna, it is always desirable to use an antenna that has the lowest gain that will adequately make the system work reliably.

Yagi antennas are very directional. Therefore, care must be taken to insure the antenna is accurately directed at the desired site. This becomes even more important when using higher gain yagis. Generally, the higher the gain of an antenna the narrower its beam width.

An ideal installation will take advantage of local terrain and building locations. The antenna should always be mounted at the highest, unobstructed location available.

Note: Installations that meet performance goals during months that trees are barren and foliage is at a minimum may prove to be unacceptable in the spring when the sap is running and leaves begin to appear.

### INSTALLATION INSTRUCTIONS

The installation of these antennas is relatively easy. Vertical polarization (elements pointing up and down) is normal for these antennas. The shorter elements point toward the signal source.

#### Y22XX Series Antennas

A single U-bolt is used to mount a **Y228X** series standard duty yagi to a maximum 1-1/2" mast. (The **Y224X** series will mount to a maximum 1" diameter mast).

If the yagi is a pigtail version, a second 1" U-bolt can be used to secure the connector to the boom.

#### Y33XX Series Antennas

A V-bolt and block is used to mount a **Y33XX** series heavy duty yagi to a maximum 2-3/8" mast. The block assembly will accommodate either a vertical or horizontal mounting. (Fig 1) & (Fig 2)

#### Y33XXX Series Antennas

Heavy duty yagis of 10 elements or more can be supplied with an additional mounting block and plate for added strength. See YDM2 kit below.

A **YMD2** optional double mount plate (Fig 3) is available for added strength and a more rugged installation.

When installing yagis with a TNC termination, care should be taken to provide good support for the coax transmission lines. The weight from an unsupported coax feed line can mechanically stress the TNC interconnect and cause permanent damage.

Fig. 1

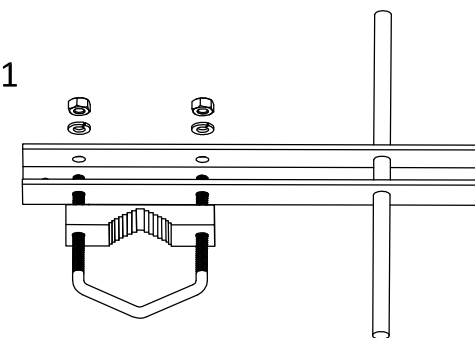


Fig. 2

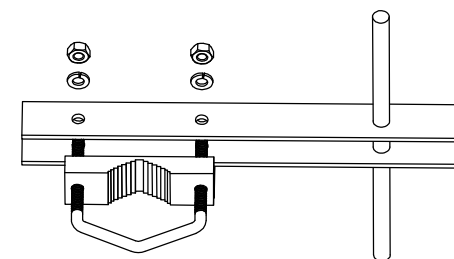


Fig. 3

