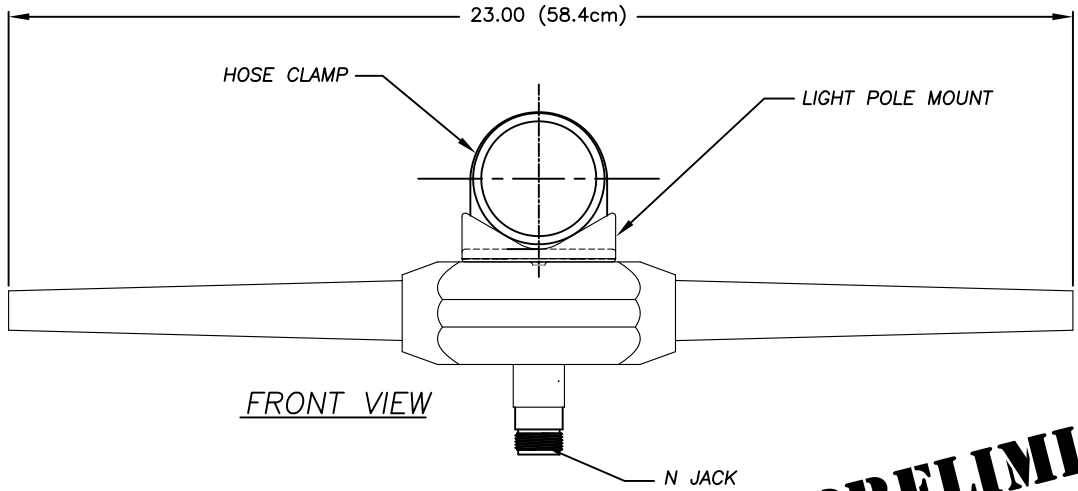
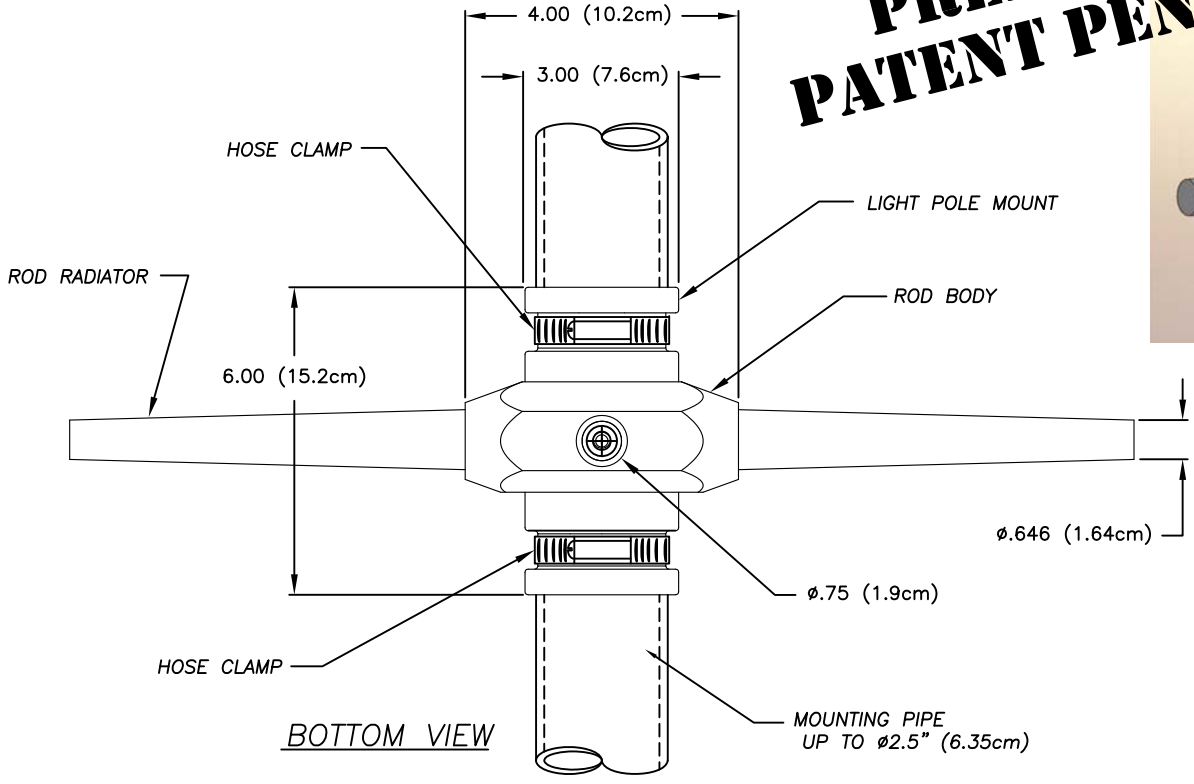
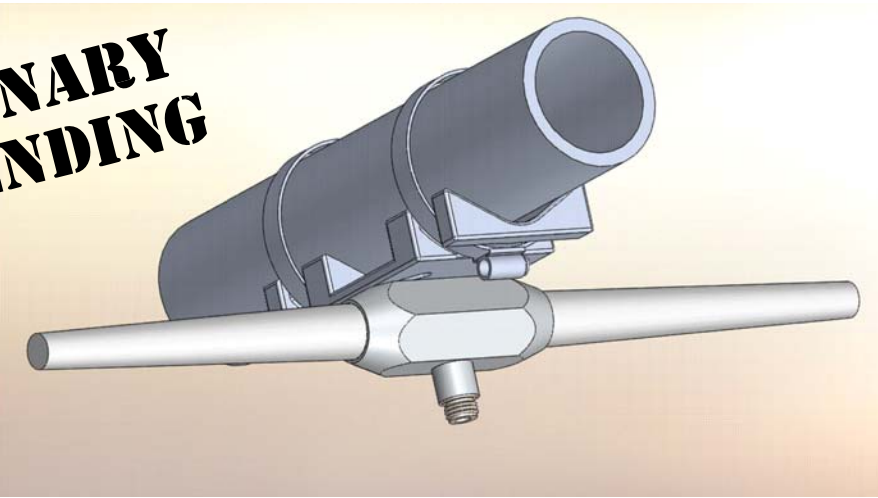


# EDN330-100

**Bi-Directional DSRC Antenna  
for Smart Roadway Applications  
14 dBi, 5.0-6.0 GHz**



**PRELIMINARY  
PATENT PENDING**



### Antenna Specifications:

- Frequency: 5.0–6.0 GHz
- Gain: 14 dBi at 5950 MHz
- VSWR: 1.4:1 Maximum
- Beamwidth: 30° Elevation  
30° Azimuth
- Impedance: 50 Ohms nominal
- Maximum Power: 200 Watts
- Connector: N Jack
- Mounting: Mounts up to  $\phi$ 2 1/2 OD (6.4cm) Pipe.  
Customer to Supply Hose Clamps for masts exceeding  $\phi$ 2 1/2 OD Pipe.  
Can be mounted to Horizontal or Vertical Utility Poles.
- Temperature: -40C to +80C
- Lightening Protection: External recommended



US OFFICE & HEADQUARTERS: 1140 W. THORNDALE AVE. ITASCA, IL 60143  
 TEL: (847) 671-6690 \* FAX (847) 250-5120  
 UK OFFICE: 8 MIRAS BUS PARK, KEYS PARK ROAD, HEDNESFORD WS12 2FS, UK.  
 UK TEL: (+44) 1543-459555 FAX (+44) 1543-459545  
 VISIT OUR WEBSITE AT WWW.MOBILEMARK.COM

Metric Dimensions in Brackets (cm)

