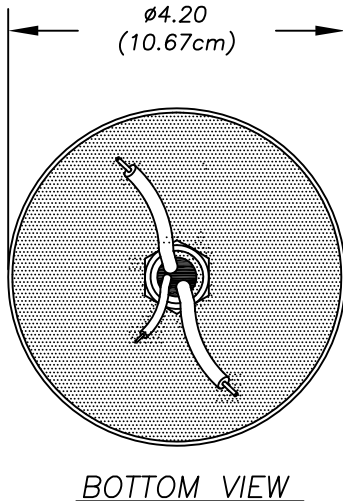
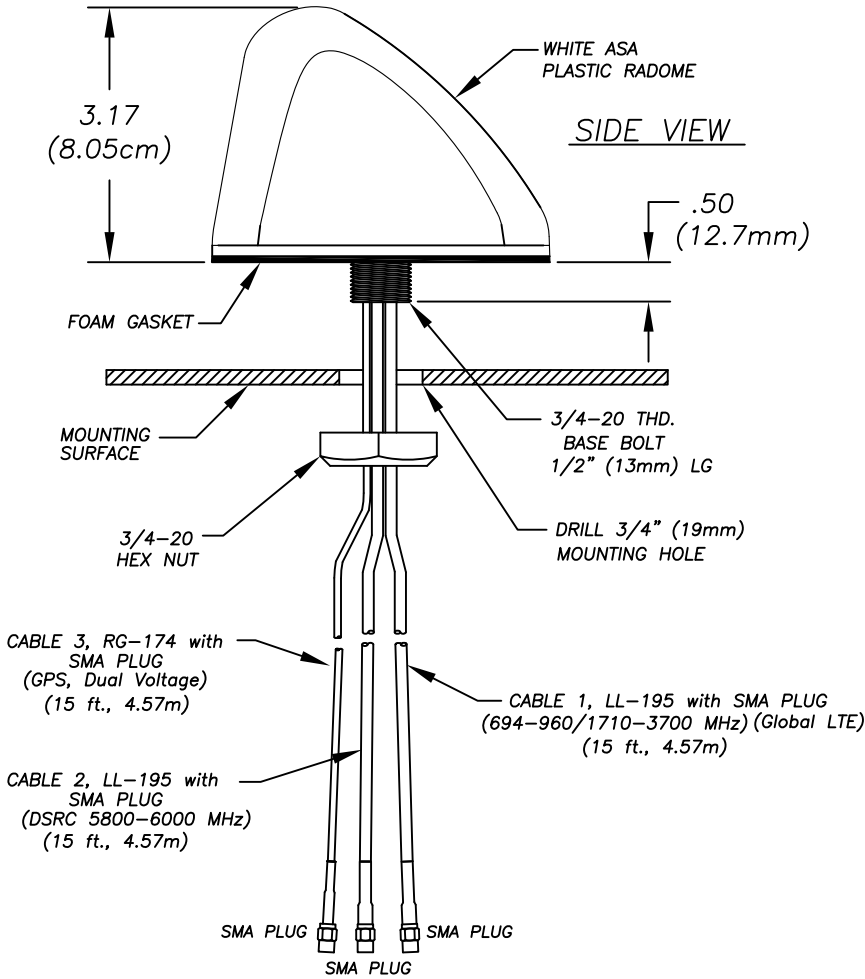


SMW-314-3C3C2C-WHT-180

Multi-band Surface Mount Antenna
694-960 & 1710-3700 MHz (Global LTE)
5800-6000 MHz (DSRC) with GPS



Antenna Specifications:

- **Gain: ————— 3 dBi Peak for 694-960 MHz
 4 dBi Peak for 1710-3700 MHz
 7 dBi Peak for 5800-6000 MHz (DSRC)
- GPS Gain ————— 26 dB, 5 dBi Antenna
- Voltage ————— 3.3/5 VDC
- Current ————— 10mA (typ.), 20mA (max.)
- **VSWR: ————— < 2:1 VSWR 5800-6000 MHz
- Maximum Power: ————— 10 Watts
- Connector/Interface: — SMA Plugs
- Case: ————— 4.2" (10.67cm) Dia. x 3.17" (8.05cm) High
- Radome Material: — ASA UV Inhibitive Plastic
- Cable ————— cable 1 — LL-195, 15 ft. (694-960/1710-3700 MHz) (Global LTE)
 cable 2 — LL-195, 15 ft. (5800-6000 MHz) (DSRC)
 cable 3 — RG-174, 15 ft. (GPS Dual Voltage 3v & 5V)
- Impedance: ————— 50 OHM Nominal
- Mounting: ————— 3/4" (19mm) Dia. Feed through.
 1/2" (12.7mm) g. thread for up to
 1/4" (6.35) thick surface 304 S.S.
- Shock & Vibration: — IEEE1478, EN 61373, MIL-810G, TIA 329.2-C
- Dust/Water Ingress: — IP67
- Operating Temperature: — -40° to +80° C

** Gain and VSWR measured with 1 ft cable on 12" Ground Plane

11/6/18

MobileMark

antenna solutions

US OFFICE & HEADQUARTERS: 1140 W. THORNDALE AVE. ITASCA, IL 60143
 TEL: (847) 671-6690 * FAX (847) 250-5120

UK OFFICE: 8 MIRAS BUS PARK, KEYS PARK ROAD. HEDNESFORD WS12 2FS, UK.
 UK TEL: (+44) 1543-459555 FAX (+44) 1543-459545

VISIT OUR WEBSITE AT WWW.MOBILEMARK.COM