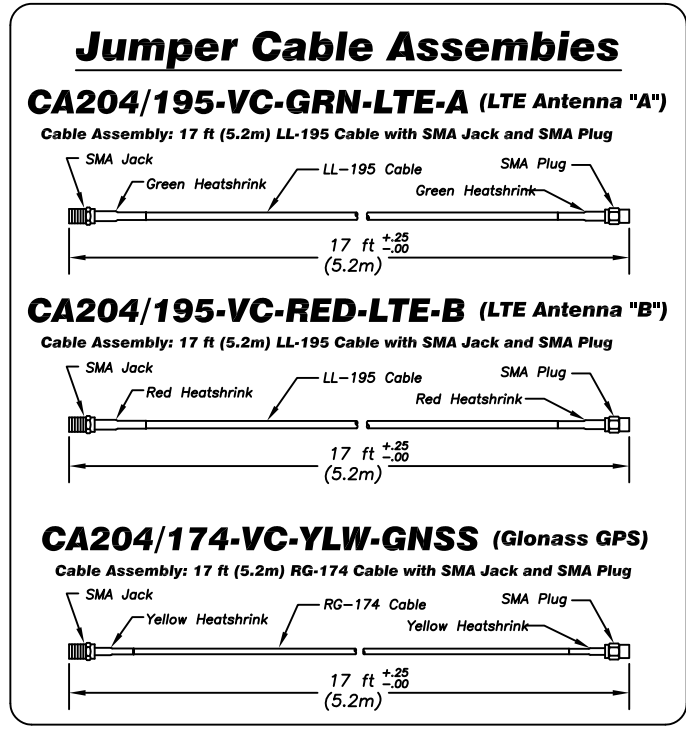
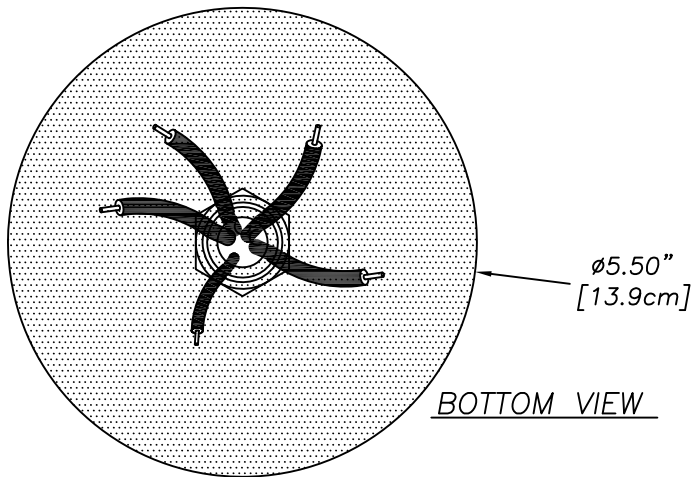
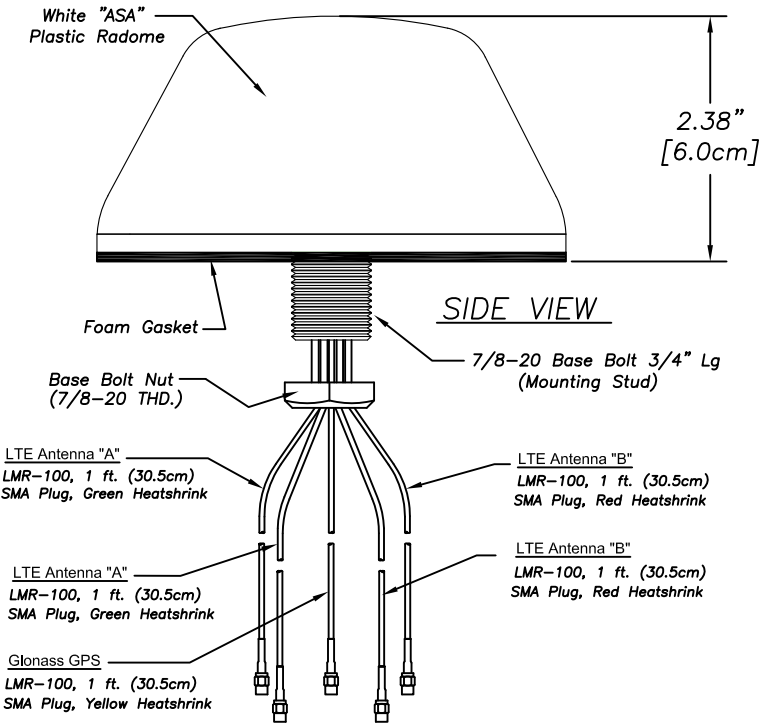


LTMG940-A3CB3C00G2C-WHT-216

Dual Carrier Multi-Band Mimo Antenna
4 X 694-960 MHz, 1710-3700 MHz (Global LTE)
with GPS / GLONASS



Antenna Specifications

- **Frequency/Gain:
 - LTE 694-960 MHz, 2dBi Peak
 - LTE 1710-3700 MHz, 5dBi Peak
- GPS/GLONASS Gain: — 26 dB, 5 dBi Antenna
- Voltage: — 3.3/5 VDC
- Current: — 10mA (typ.), 20mA (max.)
- **VSWR: — < 2.5:1 VSWR over range (with 12" LMR-100)
- Maximum Power: — 10 Watts
- Connectors/Interface: — SMA Plugs through out
- Case: — 5.50" (13.9cm) Dia. x 2.38" (6.0cm) High
- Radome Material: — ASA UV Inhibative Plastic
- Cable:
 - LTE Antenna "A"—LMR-100, 1 ft. (30.5cm) (694-960/1710-3700 MHz)
 - LTE Antenna "B"—LMR-100, 1 ft. (30.5cm) (694-960/1710-3700 MHz)
 - Glonass GPS —RG-174, 1 ft. (30.5cm) (1575/1602 MHz)
- Cable Assembly Jumpers: — "See Chart above"
- Impedance: — 50 OHM Nominal
- Water Ingress: — IP67 (when properly mounted)
- Shock & Vibration: — PENDING
- Mounting: — 7/8" Dia. Feed through.
 — 3/4" lg. thread for up to
 — 1/2" thick surface
- Operating Temperature: — -40° to +80° C

** Gain and VSWR measured with 12" cable on 12" Ground Plane
 *** To achieve optimal performance it is not recommended that LTE Antenna A and B operate on the same band simultaneously

MobileMark
 antenna solutions

US OFFICE & HEADQUARTERS: 1140 W THORNDALE AVE, ITASCA, IL 60143
 TEL: (847) 671-6690 * FAX (847) 250-5120

UK OFFICE: 8 MIRAS BUS PARK, KEYS PARK ROAD, HEDNESFORD WS12 2FS, UK,
 UK TEL: (+44) 1543-459555 FAX (+44) 1543-459545

VISIT OUR WEBSITE AT WWW.MOBILEMARK.COM

