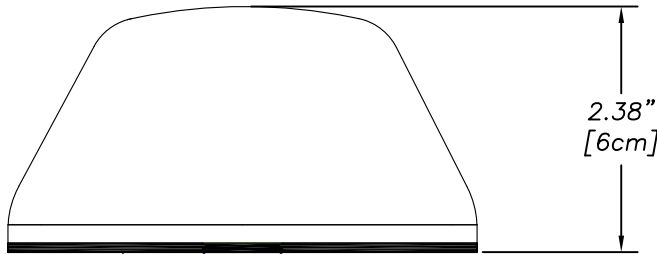
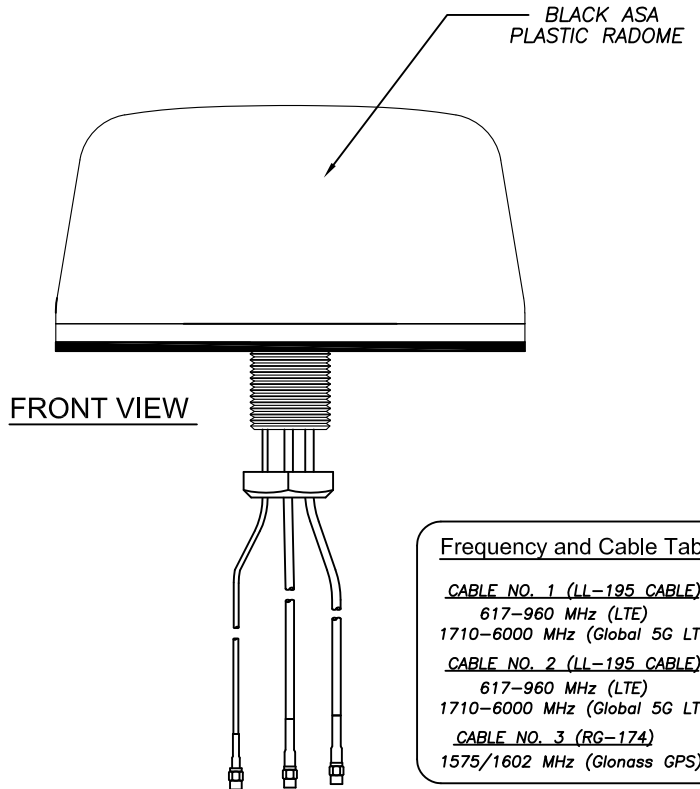


# LTMG308-3C3C2C-BLK-180

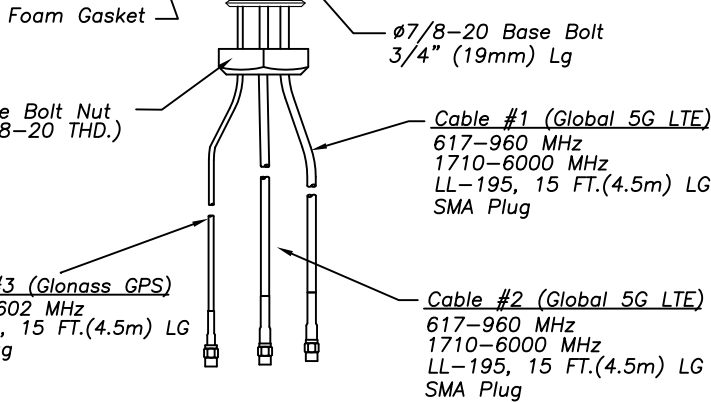
**Multi-band Diversity/Mimo Antenna**  
**2 X 617-960 MHz, 1710-6000 MHz (Global 5G LTE)**  
**Glonass GPS 1575/1602 MHz**



**SIDE VIEW**

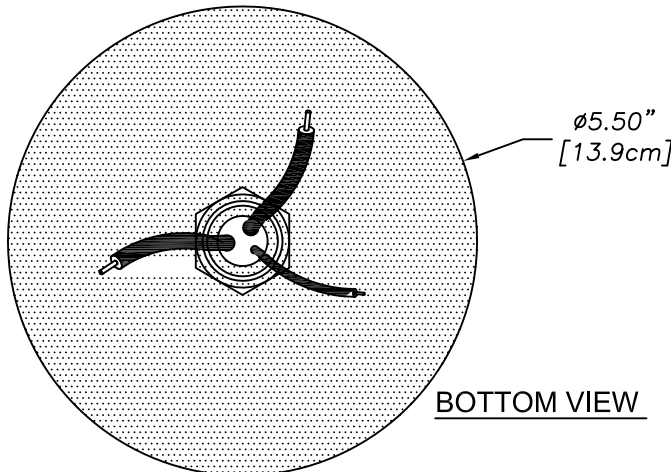


**FRONT VIEW**



**Frequency and Cable Table**

<b>CABLE NO. 1 (LL-195 CABLE)</b>
617-960 MHz (LTE)
1710-6000 MHz (Global 5G LTE)
<b>CABLE NO. 2 (LL-195 CABLE)</b>
617-960 MHz (LTE)
1710-6000 MHz (Global 5G LTE)
<b>CABLE NO. 3 (RG-174)</b>
1575/1602 MHz (Glonass GPS)



**BOTTOM VIEW**

## Antenna Specifications

<b>Gain:</b>	617-960 MHz 3dBi Peak
	1710-6000 MHz 4dBi Peak
	2.4-2.5 GHz/4.9-6 GHz 5dBi Peak
<b>Glonass GPS</b>	1575 MHz/1602 MHz
<b>Amplifier Gain</b>	16 dB
<b>Noise Figure</b>	1.5 dB (Typ.)
<b>Voltage</b>	3.3/5 VDC
<b>Current</b>	10mA (typ.), 20mA (max.)
<b>**VSWR:</b>	617-960 MHz — 2.2 MAX, <2:1 TYP.
	1710-6000 MHz — <2:1

<b>Maximum Power:</b>	10 Watts
<b>Connectors/Interface:</b>	SMA Plugs
<b>Case:</b>	5.50" Dia.(13.9cm) x 2.38" (6cm) High
<b>Radome Material:</b>	ASA UV Inhibitive Plastic
<b>Cable</b>	<ul style="list-style-type: none"> <li>— cable 1 — LL-195, 15 ft.(4.5m) (617-960 MHz/1710-6000 MHz)</li> <li>— cable 2 — LL-195, 15 ft.(4.5m) (617-960 MHz/1710-6000 MHz)</li> <li>— cable 3 — RG-174, 15 ft.(4.5m) (Glonass GPS 1575/1602 MHz)</li> </ul>

<b>Impedance:</b>	50 OHM Nominal
<b>Water Ingress:</b>	IPX7 (when properly mounted)
<b>Shock &amp; Vibration:</b>	IEEE1478, EN61373, MIL-810G, TIA 329.2-C
<b>Mounting:</b>	7/8" (22.2mm) Dia. Feed through. 3/4" (19mm) lg. thread for up to 1/2" (12.7mm) thick surface
<b>Operating Temperature:</b>	-40° to +80° C

\*\* Gain and VSWR measured with 1 ft cable on 24" Ground Plane RP 10/8/19 Rev A



US OFFICE & HEADQUARTERS: 1140 W THORNDALE AVE, ITASCA, IL 60143  
 TEL: (847) 671-6690 \* FAX (847) 250-5120

UK OFFICE: 8 MIRAS BUS PARK, KEYS PARK ROAD, HEDNESFORD WS12 2FS, UK.  
 UK TEL: (+44) 1543-459555 FAX (+44) 1543-459545  
 VISIT OUR WEBSITE AT WWW.MOBILEMARK.COM

