

Y6623D-200

Y6623D-220

FULLY WELDED YAGI

7dBd GAIN

-200 200-225MHz

-220 225-245MHz

High Performance: These antennas provide 7dBd, wide band performance.

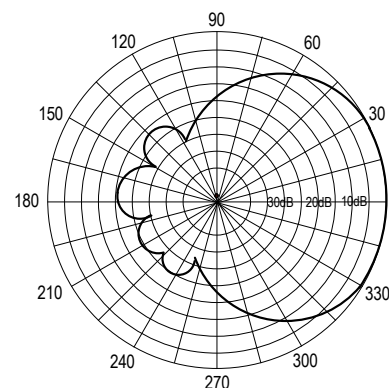
Rugged and weatherproof: The construction of our heavy duty end fed yagis feature aluminum heavy wall tubing and 3/8" solid elements. All exposed areas are coated with UV polyester. The feed system is completely enclosed.

Lightweight and Durable: These antennas are easily installed by one person.

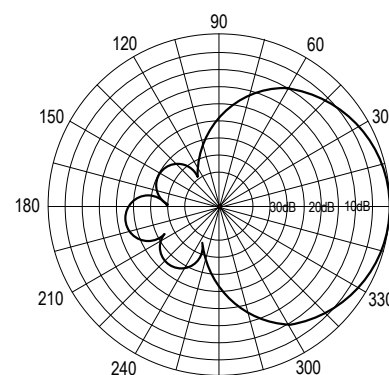
Termination : Direct Female Type "N"



Horizontal Pattern



Vertical Pattern



ELECTRICAL SPECIFICATIONS:

GAIN: 7dBd

FREQUENCY: -200 205-255MHz@2.1:1
208-222MHz@1.5:1

FREQUENCY: -220 225-245MHz@2.0:1
228-240MHz@1.5:1

FRONT TO BACK: 18dB

VERT BEAMWIDTH: 50°

HORIZ BEAM WIDTH: 60°

RATING : 300 watts, 50 ohms impedance

MECHANICAL SPECIFICATIONS:

MATERIAL: 3/4" (1.9cm) dia heavy wall aluminum
3/8" (9.35mm) solid elements

FINISH: UV inhibited polyester coat

LENGTH: 24"(61cm)

WIDTH: 30" (76cm)(longest element)

WEIGHT: 3 lbs. (1.3kg)

MOUNT: 2 3/8" (6cm)

FLAT PLATE AREA: .42 ft²

WIND RATING: 125 MPH (201kph)

WIND LOAD: 25.5 lbs (11.5kg)