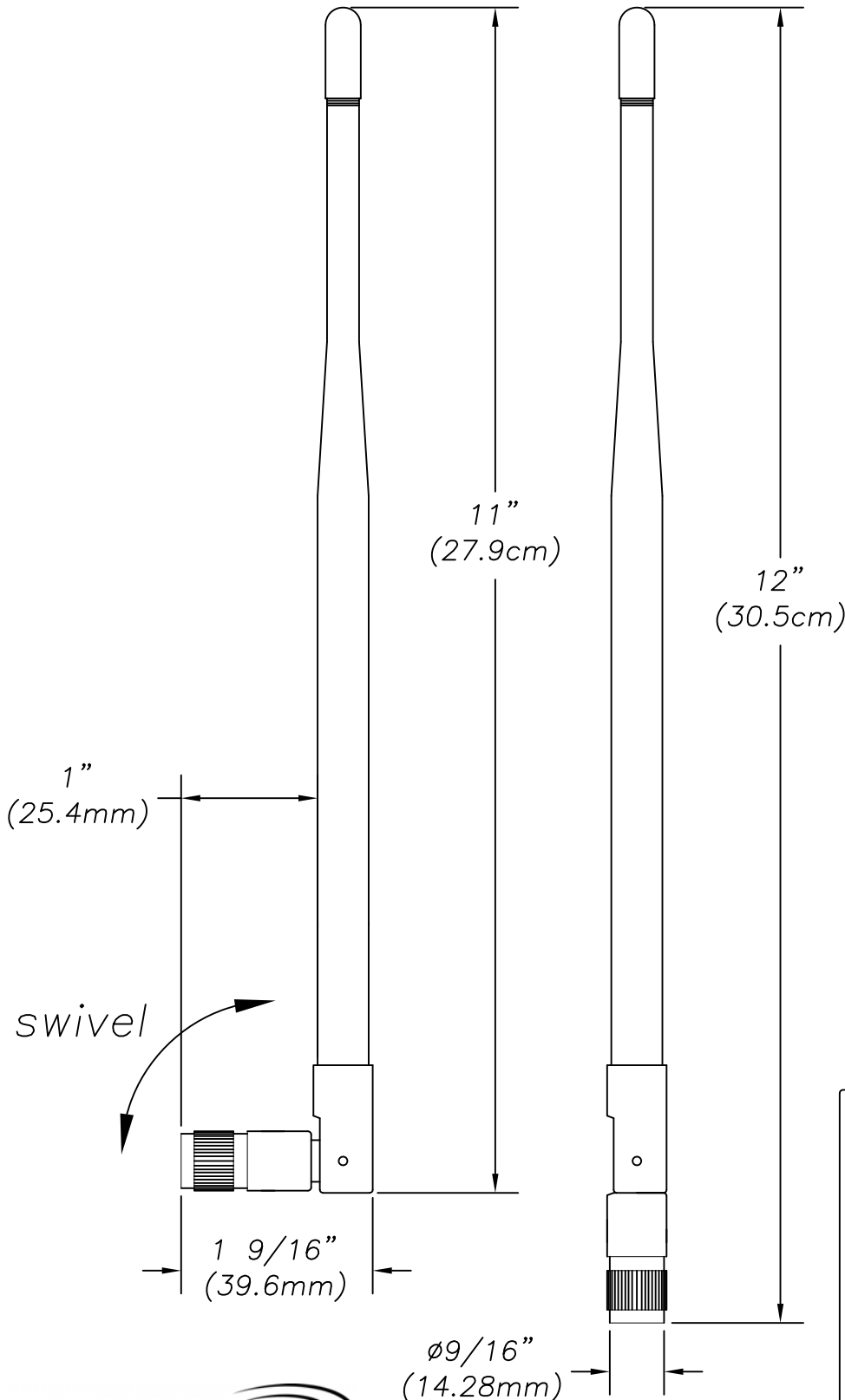


PSKN4-2400RT

High Gain Rubber Duck Antenna
4 dBi Peak Gain, 90° Knuckle Swivel
2400-2500 MHz



Antenna Specifications

Electrical Properties:

Frequency Range: 2400–2485 MHz
Impedance: 50 Ohm nominal
VSWR: <2.0:1 over band
Gain: 4 dBi Peak

Mechanical Properties:

Connector: Reverse TNC Male
Material:
Whip: Polyurethane(Black)
Swivel Joint: Polyurethane(Black)

JP 8/15/17 A

MobileMark

antenna solutions

US OFFICE & HEADQUARTERS: 1140 W THORNDALE AVE, ITASCA, IL 60143
TEL: (847) 671-6690 * FAX (847) 250-5120

UK OFFICE: 8 MIRAS BUS PARK, KEYS PARK ROAD, HEDNESFORD WS12 2FS, UK.
UK TEL: (+44) 1543-45955 FAX (+44) 1543-459545

VISIT OUR WEBSITE AT WWW.MOBILEMARK.COM