

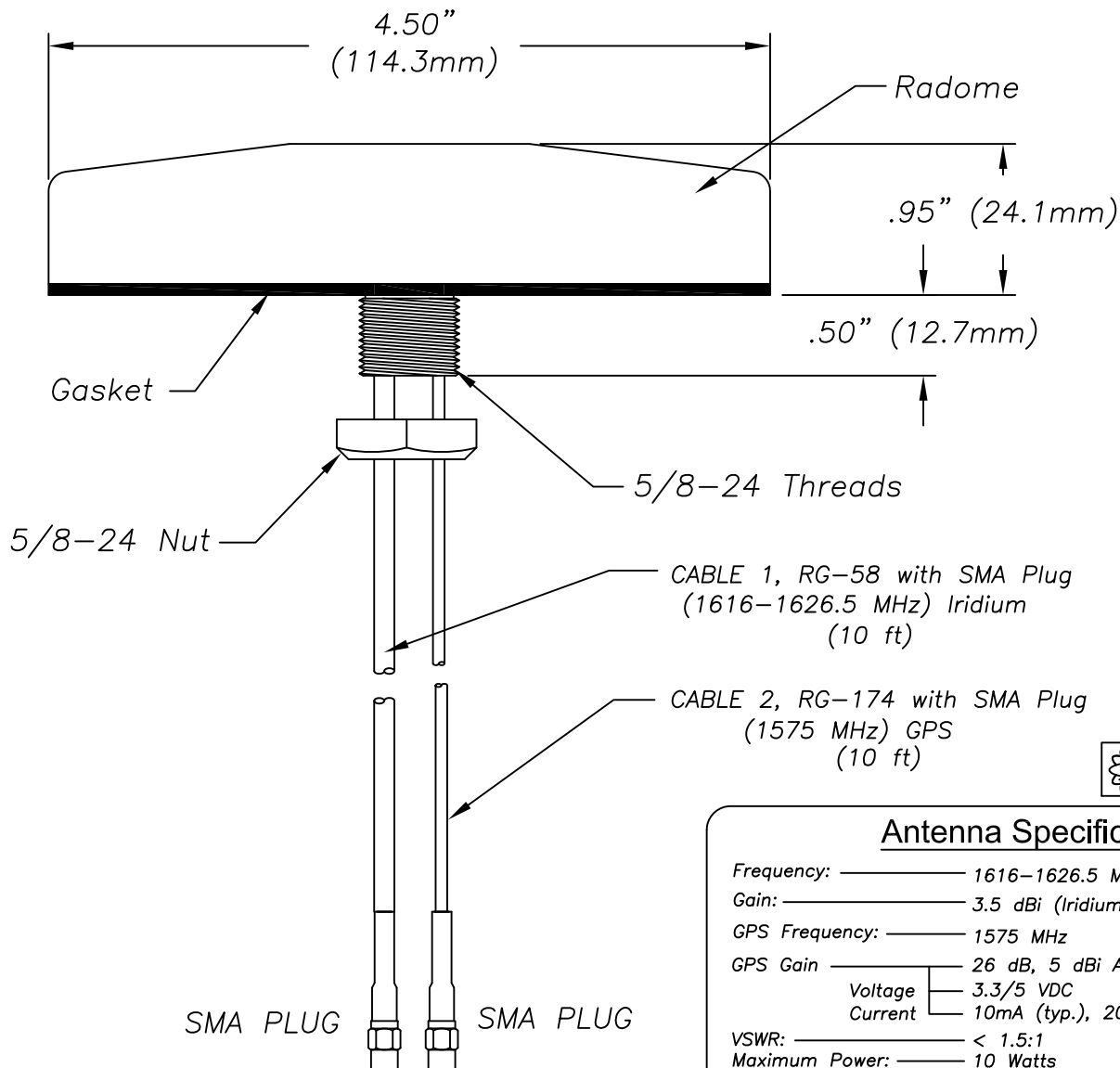
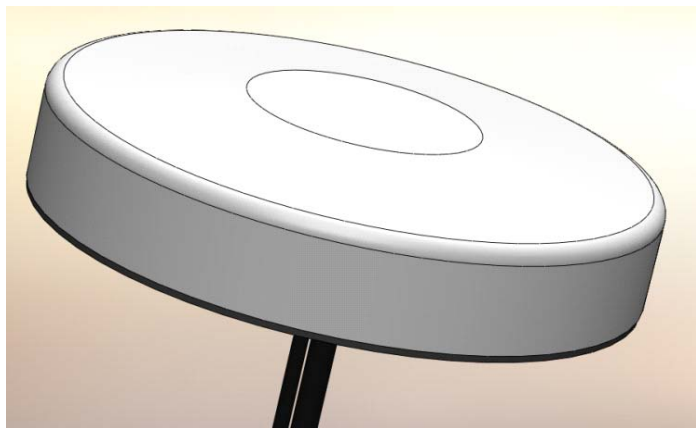
SM-1620/1575-1C2C-WHT-120

Mobile Mark Surface Mount Antenna

Iridium 1616-1626.5 MHz

& GPS 1575 MHz

Iridium® Approved Antenna



Antenna Specifications:

Frequency: 1616–1626.5 MHz (Iridium)

Gain: 3.5 dBi (Iridium)

GPS Frequency: 1575 MHz

GPS Gain: 26 dB, 5 dBi Antenna

Voltage: 3.3/5 VDC

Current: 10mA (typ.), 20mA (max.)

VSWR: < 1.5:1

Maximum Power: 10 Watts

Connector/Interface: SMA Plugs

Case: 4.50" Dia. x .95" High

Radome Material: ASA UV Inhibitive Plastic, Black or White

Cable: cable 1 — RG-58, 10 ft Iridium (1616–1626.5 MHz)

cable 2 — RG-174, 10 ft GPS (1575 MHz)

Impedance: 50 OHM Nominal

Mounting: 5/8" Dia. Feed through.

Thread up to 7/32" thick (5.3mm) metal

Polarization: RHCP (Iridium) RHCP (GPS)

Hardware: Lock Nut and Gasket included

Protection Class: IPX5

Operating Temperature: -40° to +85° C

* Gain measured with 1 ft cable on 12" square plane

7/19/16

MobileMark
antenna solutions

US OFFICE & HEADQUARTERS: 1140 W THORNDALE AVE. ITASCA, IL 60143
TEL: (847) 671-6690 * FAX (847) 671-6715

UK OFFICE: 8 MIRAS BUS PARK, KEYS PARK ROAD. HEDNESFORD WS12 2FS, UK.
UK TEL: (+44) 1543-459555 FAX (+44) 1543-459545

VISIT OUR WEBSITE AT WWW.MOBILEMARK.COM