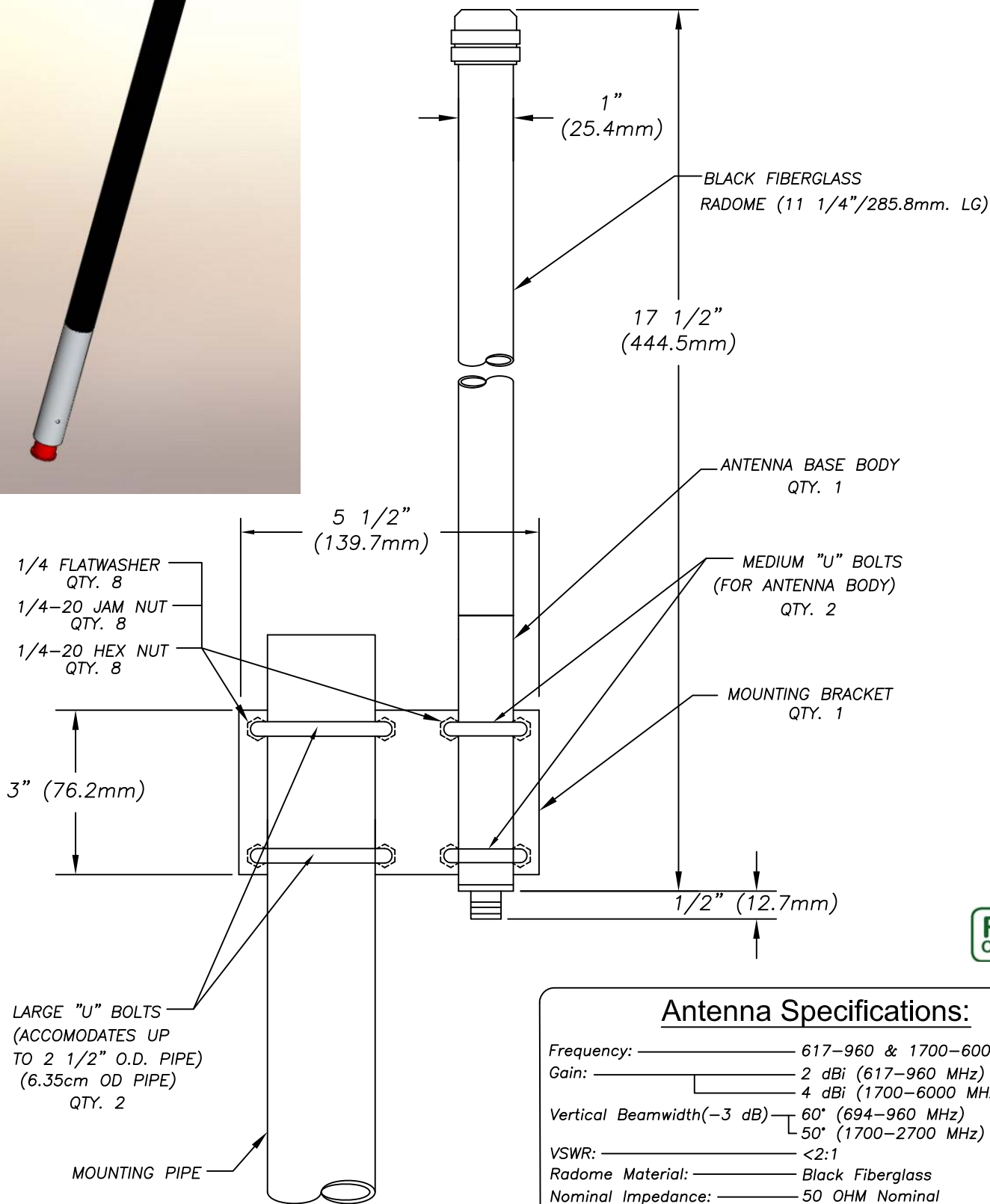


OD3-600/6000-BLK

Wide Band Omni Directional Antenna

617-960 MHz & 1700-6000 MHz



Antenna Specifications:

Frequency:	617-960 & 1700-6000 MHz
Gain:	2 dBi (617-960 MHz) 4 dBi (1700-6000 MHz)
Vertical Beamwidth(-3 dB)	60° (694-960 MHz) 50° (1700-2700 MHz)
VSWR:	<2:1
Radome Material:	Black Fiberglass
Nominal Impedance:	50 OHM Nominal
Maximum Power:	10 Watts
Connector:	"N" Female
Lightening Protection:	External Recommended
Mount: (Mount Kit included)	Mounts up to 2 1/2" OD Pipe
Weight (with mount):	2.5 lbs.
Temperature:	-40C to +80C
Wind Survivability:	100 mph minimum 100 mph with 1/2" radial ice

MobileMark

antenna solutions

US OFFICE & HEADQUARTERS: 1140 W THORNDALE AVE, ITASCA, IL 60143
TEL: (847) 671-6690 * FAX (847) 250-5120

UK OFFICE: 8 MIRAS BUS PARK, KEYS PARK ROAD, HEDNESFORD WS12 2FS, UK.
UK TEL: (+44) 1543-459555 FAX (+44) 1543-459545

VISIT OUR WEBSITE AT WWW.MOBILEMARK.COM