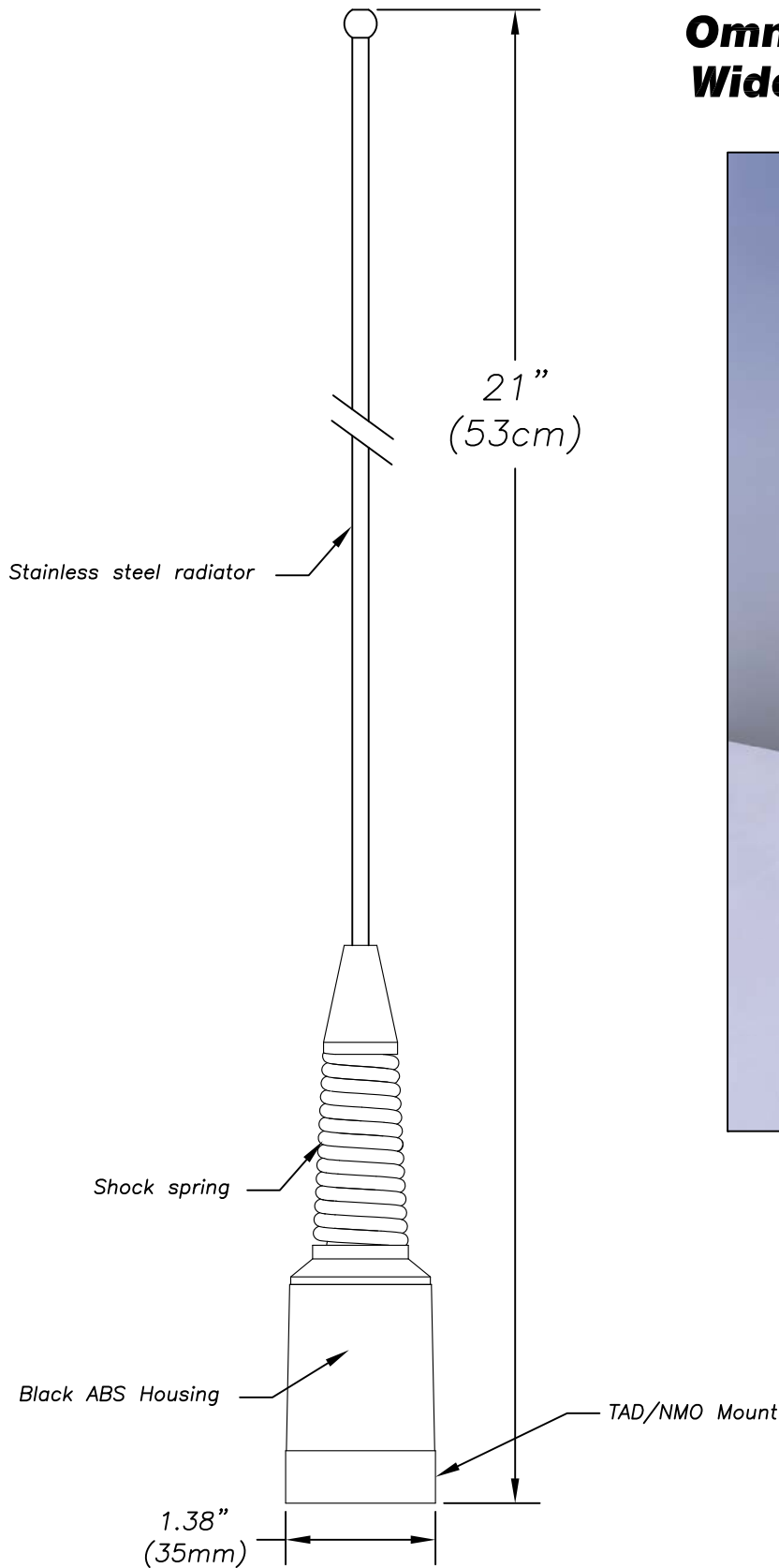


A1811WBS

**Omni Directional Mobile Antenna
Wideband No Tune 136-174 MHz**



Antenna Specifications:

Frequency: _____ 136–174 MHz
 Gain: _____ 3 dBi
 VSWR: _____ <2:1 groundplane required
 Nominal Impedance: _____ 50 OHM Nominal
 Maximum Power: _____ 200 Watts
 Connector: _____ Spring loaded contact
 Radiator: _____ Stainless steel
 Base: _____ ABS and aluminum
 Mounting: _____ Standard TAD/NMO type
 Height: _____ 21" (53cm)
 Temperature: _____ -40C to +80C
 Style: _____ Shock spring
 Color: _____ Black

MobileMark

antenna solutions

US OFFICE & HEADQUARTERS: 1140 W THORNDALE AVE, ITASCA, IL 60143
 TEL: (847) 671-6690 * FAX (847) 250-5120

UK OFFICE: 8 MIRAS BUS PARK, KEYS PARK ROAD, HEDNESFORD WS12 2FS, UK.
 UK TEL: (+44) 1543-459555 FAX (+44) 1543-459545

VISIT OUR WEBSITE AT WWW.MOBILEMARK.COM