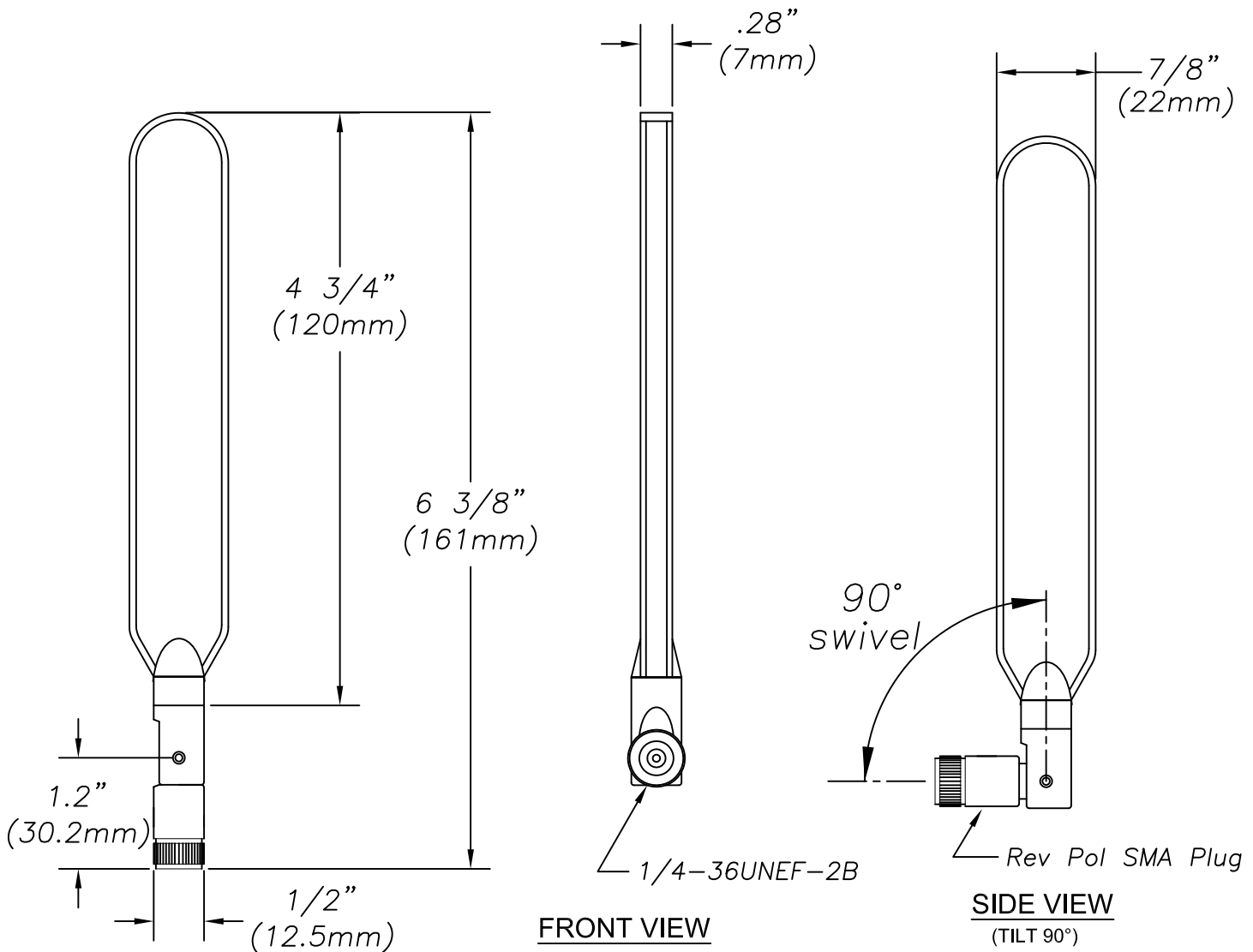


PSKN4-W6E-RS

WiFi 6E Rubber Duck Antenna

90° Knuckle Swivel, Rev Pol SMA Plug

2.4-2.5GHz & 5.15-5.85GHz & 6.125-7.125GHz



SIDE VIEW
(STRAIGHT)

FRONT VIEW

SIDE VIEW
(TILT 90°)

Antenna Specifications

Electrical Properties:

Frequency: — 2.4–2.5 GHz
— 5.15–5.85 GHz
— 6.125–7.125 GHz

VSWR: — <2.5:1

Impedance: — 50 Ohm nominal

Gain: — 4 dBi

Radiation: — Omni

Polarization: — Vertical

Max. Power: — 2 Watts

Mechanical Properties:

Connector: — Rev Pol SMA Plug

Material:

Whip: — PC & ABS

Tilt Angle: — 90°

Dimensions: — 6 3/8" x 7/8" x 1/2"

Environmental Properties:

Operating Temp: — -40C to +80C

Storage Temp: — -40C to +80C

Specifications subject to change without notice

2/26/21

MobileMark

antenna solutions

US OFFICE & HEADQUARTERS: 1140 W THORNDALE AVE. ITASCA, IL 60143
TEL: (847) 671-6690 * FAX (847) 250-5120

UK OFFICE: 8 MIRAS BUS PARK, KEYS PARK ROAD, HEDNESFORD WS12 2FS, UK.
UK TEL: (+44) 1543-459555 FAX (+44) 1543-459545

VISIT OUR WEBSITE AT WWW.MOBILEMARK.COM