

**Performance:** Ultra Wide, Dual Band antenna for the 800/1800MHz bands providing 2dBi gain on both bands with a maximum of 2.2:1 VSWR at the band edges.

**Stylish and Durable:** These antennas are manufactured using the finest corrosion resistant materials and finishes available. They provide great performance in a small stylish package.

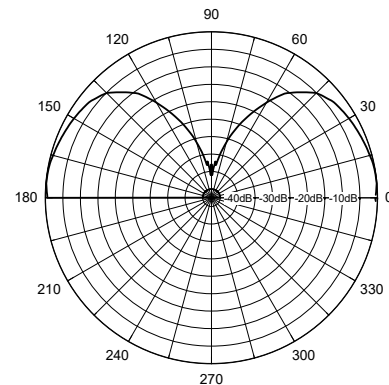
**Reliable:** The ABS base has an ultrasonically welded brass insert and a gold plated spring loaded contact for long term reliability.

**Mounting:** These antennas mate with a standard TAD/NMO type mount, providing an excellent moisture seal even when the antenna is removed.

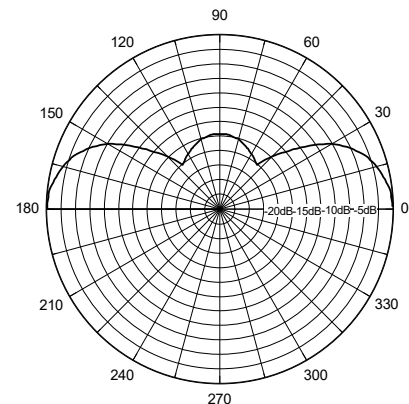
**Note:** Special attention should be given to the type of coaxial feed that is used at these high frequencies. A CEZ type mount with very low loss is recommended for use with antennas designed for use over 1 GHz.



**Vertical Pattern  
900MHz**



**Vertical Pattern  
1800MHz**



**ELECTRICAL SPECIFICATIONS:**

**FREQUENCY RANGE:** 806-940MHz  
 1710-1970MHz

**GAIN:** 2dBi

**VSWR:** <2.2:1

**IMPEDANCE:** 50 ohms

**POWER RATING:** 200 watts

**MECHANICAL SPECIFICATIONS:**

**RADIATOR:** Stainless steel

**BASE:** ABS, Ultrasonic brass insert

**CONTACT:** Gold plated spring loaded contact

**LENGTH:** 4" (10cm)

**MOUNTING:** Standard TAD/NMO type

**FINISH:** Black