

Technical Specification

698-960 MHz 1850-2200 MHz

A158192W, B

DUAL BAND TRI-MODE ANTENNA

Performance: These antennas provide 2dB gain in a dual band design providing tri-mode operation for cellular service covering multiple systems. There is no tuning necessary to cover 700-960MHz and 1850-2200MHz. This antenna has a power handling capacity of 250 watts.

Stylish and Durable: This antenna is low profile. It is 4" tall and extremely rugged for commercial applications. It has been manufactured using the finest corrosion resistant materials and finishes available.

Reliable: The ABS base has an ultrasonically welded brass insert and a gold plated spring loaded contact.

Standard Mounting: This antenna mates with a standard TAD/NMO type mount.



ELECTRICAL SPECIFICATIONS:

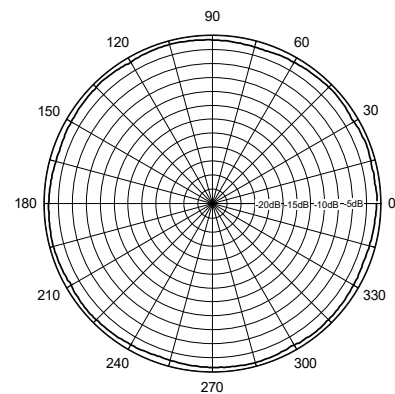
FREQUENCY RANGE: Dual band
698-960MHz
1850-2200MHz

GAIN: 2 dB
POWER RATING: 250 watts
BANDWIDTH: 160 MHz
VSWR: <2:1
IMPEDANCE: 50 ohms

MECHANICAL SPECIFICATIONS:

RADIATOR:
A158192W White: Powder coated brass
A158192B Black: Powder coated brass
BASE: ABS
CONTACT: Gold plated spring loaded contact
LENGTH: 4" (10cm)
MOUNTING: Standard TAD/NMO type

Horizontal Pattern



Vertical Pattern

