

**Technical Specification**

**698-960 MHz 1850-2200 MHz**

**A158192W**

**DUAL BAND TRI-MODE ANTENNA**

**Performance:** These antennas provide 2dB gain in a dual band design providing tri-mode operation for cellular service covering multiple systems. There is no tuning necessary to cover 700-960MHz and 1850-2200MHz. This antenna has a power handling capacity of 250 watts.

**Stylish and Durable:** This antenna is low profile. It is 4" tall and extremely rugged for commercial applications. It has been manufactured using the finest corrosion resistant materials and finishes available.

**Reliable:** The ABS base has an ultrasonically welded brass insert and a gold plated spring loaded contact.

**Standard Mounting:** This antenna mates with a standard TAD/NMO type mount.



**ELECTRICAL SPECIFICATIONS:**

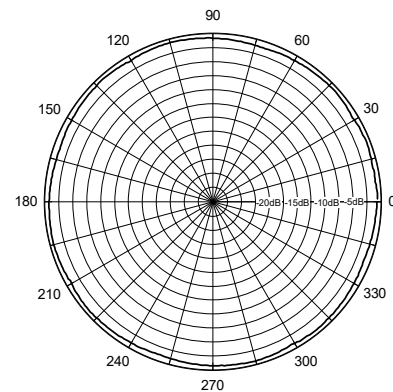
**FREQUENCY RANGE:** *Dual band*  
698-960MHz  
1850-2200MHz

**GAIN:** 2 dB  
**POWER RATING:** 250 watts  
**BANDWIDTH:** 160 MHz  
**VSWR:** <2:1  
**IMPEDANCE:** 50 ohms

**MECHANICAL SPECIFICATIONS:**

**RADIATOR:**  
**A158192W** *White: Powder coated brass*  
**A158192B** *Black: Powder coated brass*  
**BASE:** ABS  
**CONTACT:** Gold plated spring loaded contact  
**LENGTH:** 4" (10cm)  
**MOUNTING:** Standard TAD/NMO type

**Horizontal Pattern**



**Vertical Pattern**

