

Reliable Performance: Rated at 250 watts, you can expect years of continuous service.

Rugged Construction: The radiating elements are constructed of copper alloy. They are welded and, or soldered to prevent any intermodulation. They are encased in a fiberglass radome for total environmental protection.

Weatherproof: The fiberglass radome is ultraviolet inhibited. The heavy wall aluminum mounting sleeve is epoxy coated for superior weather protection.

Lightweight: These antennas are lightweight at less than 5 lbs. but are designed to easily withstand winds of over 125 MPH.

Simple installation: Using the optional BSLMNT2 or BSLUMNT2-4 mounting kit, installation takes only minutes.

ELECTRICAL SPECIFICATIONS:

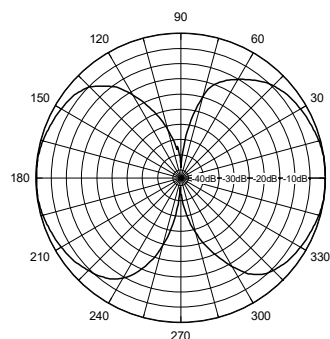
FREQUENCY RANGE:	315-325MHz 900-930MHz
GAIN:	3dBi @ 315MHz 5dBi @ 915MHz
VSWR:	<2:1
BANDWIDTH:	10 MHz @ 315MHz 30 MHz @ 915MHz
POWER RATING:	250 watts
IMPEDANCE:	50 ohms
VERT BEAMWIDTH:	75°

MECHANICAL SPECIFICATIONS:

RADIATOR:	Copper alloy elements
RADOME:	White UV inhibited fiberglass
MOUNTING SLEEVE:	1.35" (3.4cm) dia. heavy wall epoxy coated
SLEEVE LENGTH:	5" (12.7cm)
TERMINATION:	Female N
OVERALL LENGTH:	38" (96.5cm)
WEIGHT:	5 lbs. (2.3kg)
FLAT PLATE AREA:	.29 ft ²
WIND RATING:	125 MPH (201kph)
LATERAL THRUST:	19.8 lbs. (8.9kg)



Vertical Pattern @ 315MHz



Vertical Pattern @ 915MHz

