

Technical Specification

406-512 MHz 7dB Gain

Y2243

YAGI ANTENNA

High Performance: These antennas provide 7dBd, wide band performance.

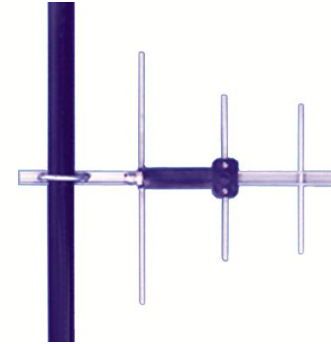
Rugged and weatherproof: The construction of our standard duty yagis feature 1/2" aluminum U channel with 1/4" solid elements. All exposed areas are coated with UV polyester. The balun assembly is filled and sealed with elastomeric thermoplastic.

Lightweight and Durable: These antennas are easily installed by one person and are designed to withstand winds up to 125MPH.

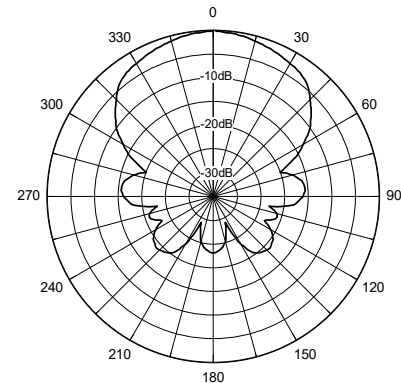
Termination Options:

Type A: 12" Teflon pigtail with N connector.

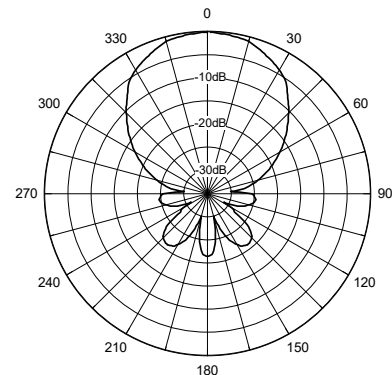
Type B: Direct TNC connection to the balun.



Horizontal Pattern



Vertical Pattern



ELECTRICAL SPECIFICATIONS:

GAIN: 7dBd F/B 15dB

FREQUENCY:
 -A 406-430MHz
 -B 430-450MHz
 -C 450-470MHz
 -D 470-490MHz
 -E 490-512MHz

VSWR: <2:1

VERT BEAMWIDTH: 60°

HORIZ BEAM WIDTH: 70°

RATING : 150 watts, 50 ohms impedance

MECHANICAL SPECIFICATIONS:

MATERIAL: 1/2" (1.27cm) aluminum U channel boom
 1/4" (6.3mm) solid elements

FINISH: UV inhibited polyester coat

LENGTH: 18" (46cm)

ELEMENT LENGTH: 14" (35.5cm) longest

WEIGHT: <2 lbs. (907g)

MOUNT: 1 5/8" (1.4cm) mast, stainless hardware

FLAT PLATE AREA: .08 ft²

WIND RATING: 125 MPH (201kph)

WIND LOAD: 4.7 lbs. (2.1kg)