

Technical Specification

144-174MHz, 210-225MHz 6dBd Gain

3 ELEMENT YAGI ANTENNA

High Performance: These 3 element yagi antennas provide 6dBd gain.

Rugged and weatherproof: The construction of these heavy duty yagis feature a 1" aluminum U channel boom and 3/8" solid elements fully welded and polyester powder coated.

Functional & Durable: These yagi antennas are easily installed by one person. They can be field tuned for lowest VSWR without cutting any elements. They are designed to withstand 125 MPH winds.

Mounting: These antennas are supplied with the YDM2 double V-bolt mounting kit.

Termination Options:

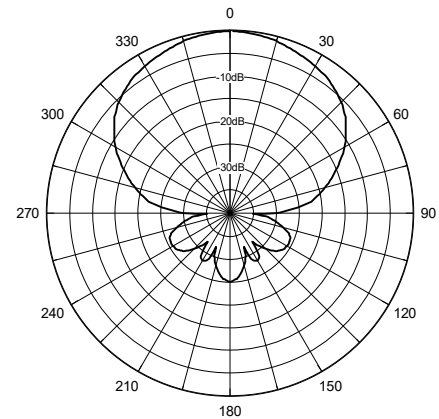
Type A: N connector

Type C: SO239 (standard)

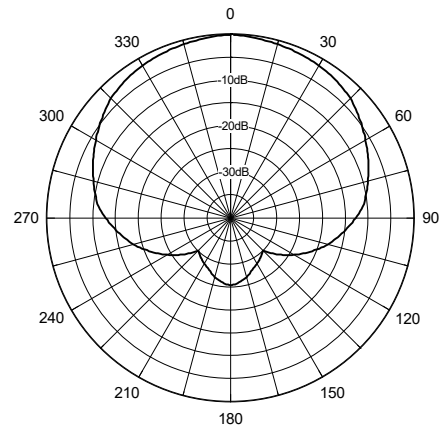
UPS Shippable: These antennas are shipped assembled and may incur UPS premium charge.



Vertical Pattern



Horizontal Pattern



ELECTRICAL SPECIFICATIONS:

	Y3313	Y3323
FREQUENCY:	A 144-150MHz	A 200-215MHz
	B 150-156MHz	B 210-225MHz
	C 156-162MHz	C 220-250MHz
	D 162-166MHz	
	E 168-174MHz	

VSWR:	<2:1	<2:1
GAIN:	6dBd	6dBd
RATING:	300 watts	300 watts
BANDWIDTH:	8MHz	8MHz
F to B	18dB	18dB
IMPEDANCE:	50 ohms	50 ohms

MECHANICAL SPECIFICATIONS:

MATERIAL:	(2.54cm) 1" aluminum U channel boom (9.5mm) 3/8" solid elements	
FINISH:	Polyester coat	
MOUNTING:	2 3/8" (6cm) mast max.	
HARDWARE:	Stainless steel	
LENGTH:	44" (1.1m)	34" (86cm)
WIDTH:	38" (96.5cm)	27" (69cm)
WEIGHT:	7 lbs. (3.3kg)	5 lbs. (2.3kg)
FLAT PLATE AREA:	.50 ft ²	.38 ft ²
WIND RATING:	125 MPH (201kph) 125 MPH (201kph)	
WIND LOAD:	30 lbs. (13.6kg)	22.5 lbs. (10.2kg)
SHIPPING:	UPS UPS	