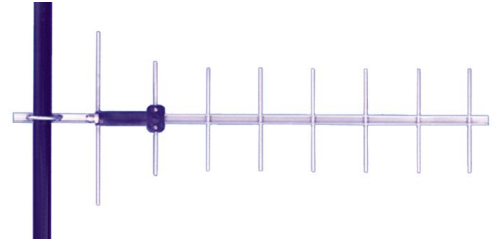


Technical Specification
806-950 MHz 10.2dB Gain

Y2288WB

WIDE BAND YAGI ANTENNA



High Performance: This 8 element yagi provides 10.2dBd gain with wide band performance.

Rugged and weatherproof: The construction of our standard duty yagis feature 1/2" aluminum U channel with 1/4" solid elements. All exposed areas are powder coated with UV polyester. The balun assembly is filled and sealed with elastomeric thermoplastic.

Lightweight and Durable: This yagi antennas is easily installed by one person, yet is designed to withstand 125 MPH winds.

Termination Options:

Type A: 12" Teflon pigtail with N connector.

Type B: Direct TNC connection to the balun.

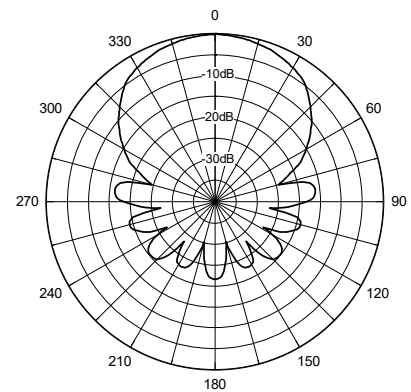
ELECTRICAL SPECIFICATIONS:

GAIN:	10.2dBd
FREQUENCY:	806-950MHz
F to B RATIO:	20dB
BANDWIDTH:	140MHz
VSWR:	<2:1
HORIZ BEAMWIDTH:	60°
VERT BEAM WIDTH:	46°
POWER RATING :	150 watts
IMPEDANCE:	50 ohms

MECHANICAL SPECIFICATIONS:

MATERIAL:	1/2" (1.27cm)aluminum U channel boom 3/16" (4.7mm)solid elements
FINISH:	UV inhibited powder coat
LENGTH:	29" (73.6cm)
WEIGHT:	<2 lbs.(907g)
MOUNTING:	1 5/8" (1.4cm)mast, stainless hardware
FLAT PLATE AREA:	.163 ft ²
WIND RATING:	125 MPH (201kph)
WIND LOAD:	11 lbs. (5kg)

Horizontal Pattern



Vertical Pattern

