

Technical Specification

200-250MHz Specify Center Frequency

Y6625D

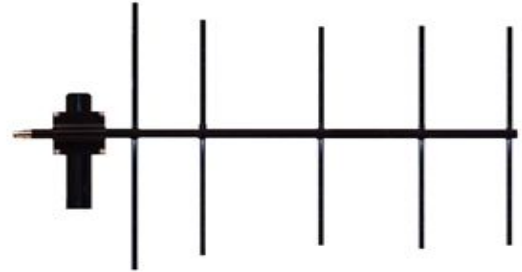
**FULLY WELDED YAGI
8.6dBd GAIN**

High Performance: These antennas provide 8.6dBd, wide band performance.

Rugged and weatherproof: The construction of our heavy duty end fed yagis feature aluminum heavy wall tubing and 3/8" solid elements. All exposed areas are coated with UV polyester. The feed system is completely enclosed.

Lightweight and Durable: These antennas are easily installed by one person.

Termination : Direct Female Type "N"



ELECTRICAL SPECIFICATIONS:

GAIN: 8.6dBd

FREQUENCY: 200-250MHz
4MHz@1.5:1
8MHz@2:1

FRONT TO BACK: 18dB

VERT BEAMWIDTH: 45°

HORIZ BEAM WIDTH: 55°

RATING : 300 watts, 50 ohms impedance

MECHANICAL SPECIFICATIONS:

MATERIAL: 3/4" (1.9cm)dia heavy wall aluminum
3/8" (9.5mm) solid elements

FINISH: UV inhibited polyester coat

LENGTH: 52" (1.3m)

WIDTH: 30" (76cm)longest element

WEIGHT: 3 lbs.(1.3kg)

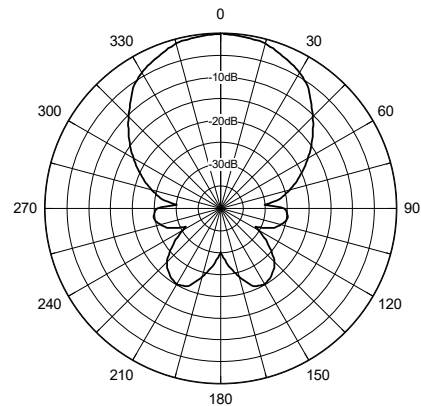
MOUNT: 2 3/8" (6cm)

FLAT PLATE AREA: .5 ft²

WIND RATING: 125 MPH (201kph)

WIND LOAD: 30 lbs (13.6kg)

Horizontal Pattern



Vertical Pattern

