

High Performance: These antennas provide 7dBd, wide band performance.

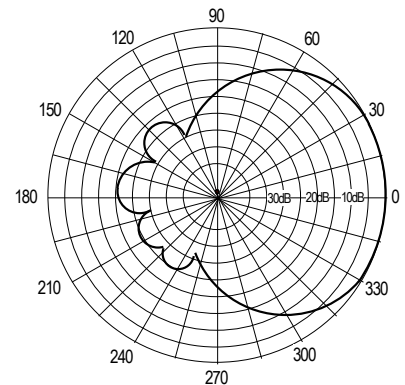
Rugged and weatherproof: The construction of our heavy duty end fed yagis feature aluminum heavy wall tubing and 3/8" solid elements. All exposed areas are coated with UV polyester. The feed system is completely enclosed.

Lightweight and Durable: These antennas are easily installed by one person.

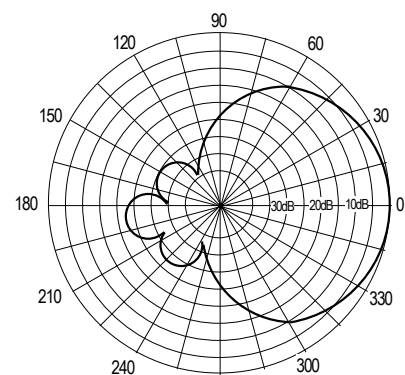
Termination : Direct Female Type "N"



Horizontal Pattern



Vertical Pattern



ELECTRICAL SPECIFICATIONS:

GAIN: 7dBd
FREQUENCY: 320-340 MHz
VSWR: <2:1
FRONT TO BACK: 15dB
VERT BEAMWIDTH: 60°
HORIZ BEAM WIDTH: 70°
RATING : 300 watts, 50 ohms impedance

MECHANICAL SPECIFICATIONS:

MATERIAL: 3/4" (1.9mm)dia heavy wall aluminum
 3/8" (9.5mm) solid elements
FINISH: UV inhibited polyester coat
LENGTH: 24" (61cm)
WIDTH: 18" (46cm)(longest element)
WEIGHT: 3 lbs.(1.3kg)
MOUNT: 2 3/8" (6cm)
FLAT PLATE AREA: .42 ft²
WIND RATING: 125 MPH (201kph)
WIND LOAD: 25.5 lbs (11.5kg)