

Technical Specification

Y42700WB

698-2800 MHz 8dBd / 10dB

WELDED WIDEBAND YAGI ANTENNA

High Performance: This 17 element yagi antenna provides 10dBi / 8dBd gain with excellent wide band performance.

Rugged and weatherproof: Our hybrid radome construction provides excellent weather protection for our driven element. The radome is constructed of UV inhibited ABS. The heavy duty mounting plate is extruded aluminum. Stainless steel V bolts are provided for long term reliability and resistance to corrosion. The elements are welded to the boom to provide excellent stability and intermod resistant operation.

Lightweight and Durable: This yagi antenna is easily installed by one person, yet is designed to withstand 125 MPH winds.

Termination Options:

Type A: 12" Teflon pigtail with N connector.



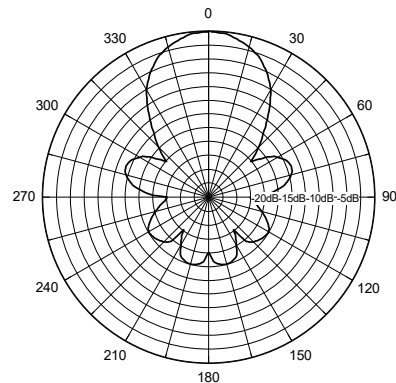
ELECTRICAL SPECIFICATIONS

GAIN: 10dBi / 8dBd
FREQUENCY@
VSWR <2.2:1 698-2800MHz
F to B RATIO: 20dB
VERT BEAMWIDTH: 40°
HORIZ BEAMWIDTH: 40°
POWER RATING: 150 watts
IMPEDANCE: 50 ohms

MECHANICAL SPECIFICATIONS

MATERIAL: Aluminum booms
 3/16" solid welded elements
RADOME: 3" (7.6cm) UV inhibited ABS
LENGTH: 13.5" (34cm)
WEIGHT: 2 lb. (907g)
MOUNTING: 2 1/2" (6.35cm) mast maximum
FLAT PLATE AREA: .12 ft²
WIND RATING: 125 MPH (201kph)
WIND LOAD: 8.1 lbs. (4kg)

Horizontal Pattern



Vertical Pattern

