

High Performance: This 14 element yagi antenna provides 10dBi / 8dBd gain with excellent wide band performance.

Rugged and weatherproof: Our hybrid radome construction provides excellent weather protection for our driven element. The radome is constructed of UV inhibited ABS. The heavy duty mounting plate is extruded aluminum. Stainless steel V bolts are provided for long term reliability and resistance to corrosion. The elements are welded to the boom to provide excellent stability and intermod resistant operation.

Lightweight and Durable: This yagi antenna is easily installed by one person, yet is designed to withstand 125 MPH winds.

Termination Options:

Type A: 12" (30cm) Teflon pigtail with N connector.



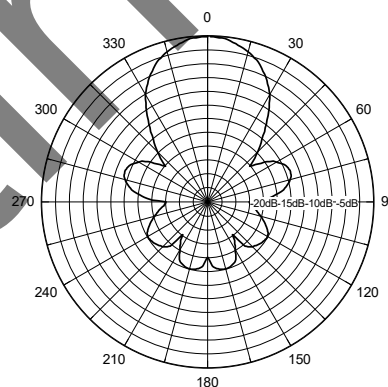
ELECTRICAL SPECIFICATIONS

GAIN:	10dBi / 8dBd
FREQUENCY@	
VSWR <2.0:1	806-940MHz/1730-2100MHz
VSWR <2.5:1	745-970MHz/1710-2500MHz
F to B RATIO:	20dB
VERT BEAMWIDTH:	40°
HORIZ BEAMWIDTH:	40°
POWER RATING:	150 watts
IMPEDANCE:	50 ohms

MECHANICAL SPECIFICATIONS

MATERIAL:	Aluminum booms 3/16" solid welded elements
RADOME:	3" UV inhibited ABS
LENGTH:	18.5" (47cm)
WEIGHT:	2 lb. (5cm)
MOUNTING:	2-1/2" (6.35cm) mast maximum
FLAT PLATE AREA:	.12 ft ²
WIND RATING:	125 MPH (201kph)
WIND LOAD:	8.1 lbs. (4kg)

Horizontal Pattern



Vertical Pattern

