

Technical Specification

Y42712WB

698-1200MHz 6dBd / 8dBi

WELDED, WIDEBAND YAGI ANTENNA

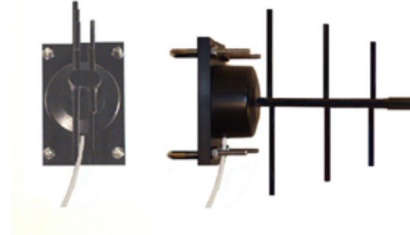
High Performance: This 6 element yagi antenna provides 8dBi / 6dBd gain with excellent wide band performance.

Rugged and weatherproof: Our hybrid radome construction provides excellent weather protection for our driven element. The radome is constructed of UV inhibited ABS. The heavy duty mounting plate is extruded aluminum. Stainless steel V bolts are provided for long term reliability and resistance to corrosion. The elements are welded to the boom to provide excellent stability and intermod resistant operation.

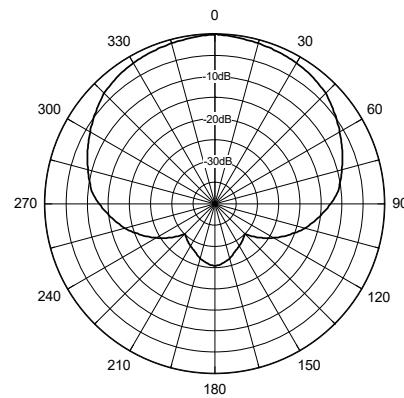
Lightweight and Durable: This yagi antenna is easily installed by one person, yet is designed to withstand 125 MPH winds.

Termination Options:

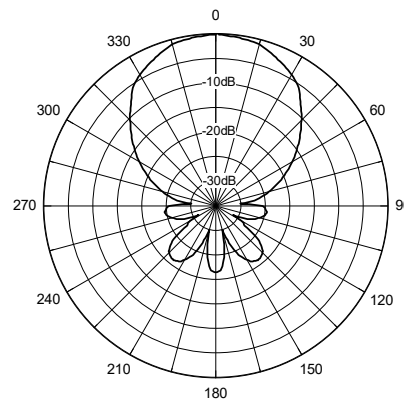
Type A: 12" (30cm) Teflon pigtail with N connector.



Horizontal Pattern



Vertical Pattern



ELECTRICAL SPECIFICATIONS

GAIN: 8dBi / 6dBd
FREQUENCY@
VSWR <2.0:1 698-1200MHz
F to B RATIO: 20dB
VERT BEAMWIDTH: 60°
HORIZ BEAMWIDTH: 110°
POWER RATING: 150 watts
IMPEDANCE: 50 ohms

MECHANICAL SPECIFICATIONS

MATERIAL: Aluminum booms
 3/16" solid welded elements
RADOME: 3" UV inhibited ABS
LENGTH: 8.5" (21.5cm)
WEIGHT: 2 lb.(907g)
MOUNTING: 2 1/2" (6.35cm) mast maximum
FLAT PLATE AREA: .12 ft²
WIND RATING: 125 MPH (201kph)
WIND LOAD: 8.1 lbs.(4kg)