

Technical Specification
2400/2500 MHz 6 dBi Gain

YAGI ANTENNA

High Performance: This 3 element yagi provides 6dBi / 4dBd gain.

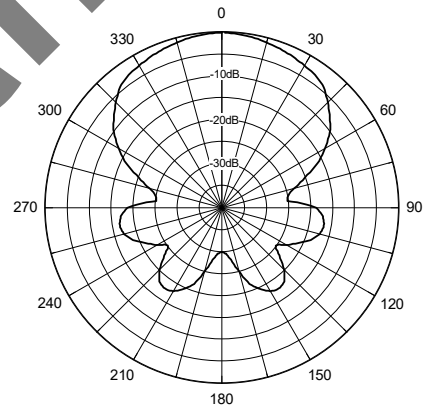
Rugged and weatherproof: The radome construction provides excellent weather protection. The radome is constructed of UV inhibited ABS. The heavy duty mounting plate is extruded aluminum. Stainless steel V bolts are provided for long term reliability and resistance to corrosion.

Lightweight and Durable: This yagi antenna is easily installed by one person, yet is designed to withstand 125 MPH winds.

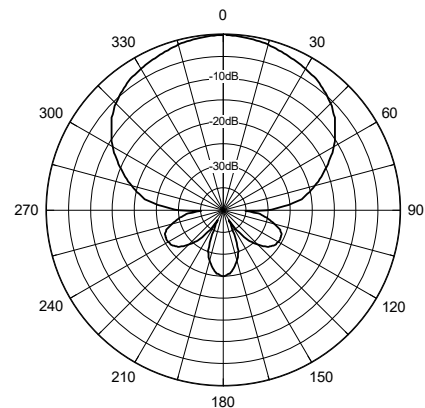
Termination Options:

Type A: 12" Teflon pigtail with N connector.

Horizontal Pattern



Vertical Pattern



MECHANICAL SPECIFICATIONS

- MATERIAL:** 1/2" (1.27cm) aluminum U channel boom
- RADOME:** 3" (7.6cm) UV inhibited ABS
- LENGTH:** 4" (10cm)
- WEIGHT:** 1 lb. (453g)
- MOUNTING:** 2 1/2" (6.35cm) mast maximum
- FLAT PLATE AREA:** .055 ft²
- WIND RATING:** 125 MPH (201kph)
- WIND LOAD:** 2.47 lbs. (1.1kg)

ELECTRICAL SPECIFICATIONS

- GAIN:** 6dBi / 4dBd
- FREQUENCY:** 2400-2500MHz
- F to B RATIO:** 15dB
- BANDWIDTH:** >100MHz
- VERT BEAMWIDTH:** 70°
- HORIZ BEAMWIDTH:** 70°
- VSWR:** 1.5:1
- POWER RATING:** 150 watts
- IMPEDANCE:** 50 ohms

