

Technical Specification

B26193CM

1850-1990 MHz 3.5 dBi

CEILING MOUNT OMNI ANTENNA

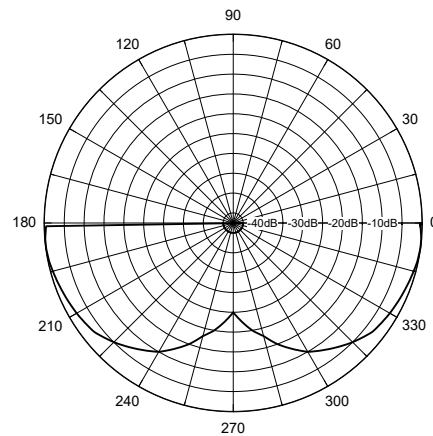
Performance: Omni-directional antenna for the 1850 thru 1990MHz band providing 3.5 dBi gain.

Stylish and Durable: These antennas are manufactured using the finest materials available. They provide great performance in a stylish package. The radome is injection molded white ABS material.

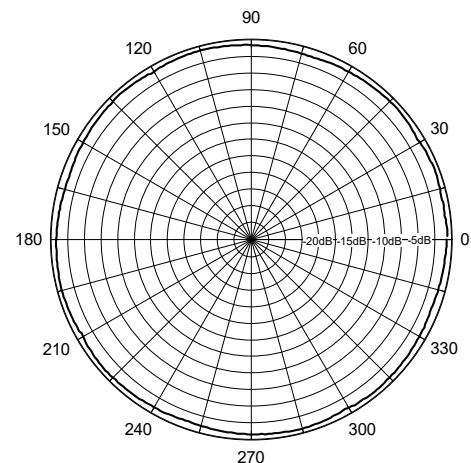
Mounting: This antenna mounts easily through standard ceiling tile using a 3/8" hole. It terminates with a 12" Teflon pigtail with a choice of connectors.



Vertical Pattern



Horizontal Pattern



ELECTRICAL SPECIFICATIONS:

FREQUENCY RANGE: 1850-1990MHz
GAIN: 3.5 dBi
VSWR: 1.5:1
VERT BEAM WIDTH: 60°
HORIZ BEAM WIDTH: 360°
POLARIZATION: Vertical
IMPEDANCE: 50 ohms
POWER RATING: 100 watts

MECHANICAL SPECIFICATIONS:

RADOME: ABS, UV
COLOR: White
TERMINATION: 12" Teflon low loss (30cm)
 Choice of connectors
RADOME THICKNESS: 3/4" (1.9cm)
MOUNTING: Through ceiling 3/8" hole
OVERALL SIZE: 4 1/2" (11.5cm)x 4 1/2" (11.5cm)