

## Technical Specification

150-174MHz 2.5dBd Gain

EDX150  
EXPOSED DIPOLE

**Reliable Performance:** Rated at 250 watts and 2.5dBd gain, you can expect years of continuous service. Adjustable for either 1/4 wave or 1/2 wave configurations.

**Rugged Construction:** The radiating element and support arm are black anodized aluminum.

**Lightweight:** These antennas are lightweight at less than 4 lbs. but are designed to easily withstand winds of 150 MPH.

**Simple installation:** The included mount is designed to easily mount on a 1.9" diameter (aluminum Schedule 40) mast which is not supplied.

### ELECTRICAL SPECIFICATIONS:

<b>FREQUENCY:</b>	150-174MHz
<b>GAIN:</b>	1 - 2.5 dBd
<b>VSWR:</b>	<1.5:1
<b>BANDWIDTH:</b>	50 MHz
<b>POWER RATING:</b>	250 watts
<b>IMPEDANCE:</b>	50 ohms
<b>VERT BEAMWIDTH:</b>	70 degrees
<b>PROTECTION:</b>	DC Ground

### MECHANICAL SPECIFICATIONS:

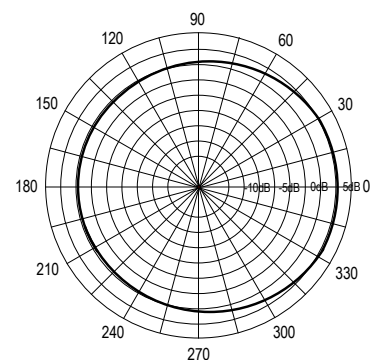
<b>MAST DIAMETER:</b>	1.9" (4.7cm) (Recommended)
<b>TERMINATION:</b>	Male N standard
<b>LENGTH:</b>	35"
<b>WIDTH:</b>	28"
<b>CABLE LENGTH:</b>	5' (1.5m)
<b>WEIGHT:</b>	7 lbs.(3.1kg)
<b>FLAT PLATE AREA:</b>	.6 ft <sup>2</sup>
<b>WIND RATING:</b>	150 MPH (241kph)
<b>WIND LOAD:</b>	35 lbs.(15.8kg)



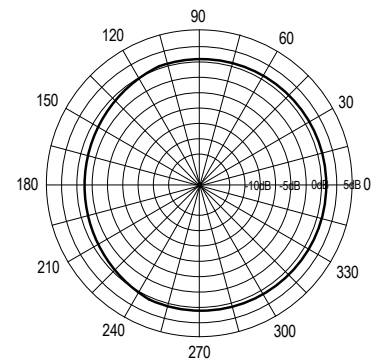
Shown with user supplied mast

### HORIZONTAL PATTERNS

#### 1/4 WAVE



#### 1/2 WAVE



### VERTICAL PATTERN

