

Technical Specification

200-250 MHz 2.5dBd Gain

EDX220

FOLDED DIPOLE

Reliable Performance: Rated at 250 watts and 2.5dBd gain, you can expect years of continuous service. Available in either 1/4 wave or 1/2 wave configurations.

Rugged Construction: The radiating element and support arm are black anodized aluminum.

Lightweight: These antennas are lightweight at less than 4 lbs. but are designed to easily withstand winds of over 100 MPH.

Simple installation: The included mount is designed to easily mount on a 1.9" diameter (aluminum Schedule 40) mast which is not supplied.

ELECTRICAL SPECIFICATIONS:

FREQUENCY:	200-250MHz
GAIN:	1 - 2.5 dBd
VSWR:	<1.5:1
BANDWIDTH:	50 MHz
POWER RATING:	100 watts
IMPEDANCE:	50 ohms
VERT BEAMWIDTH:	70°
PROTECTION:	DC Ground

MECHANICAL SPECIFICATIONS:

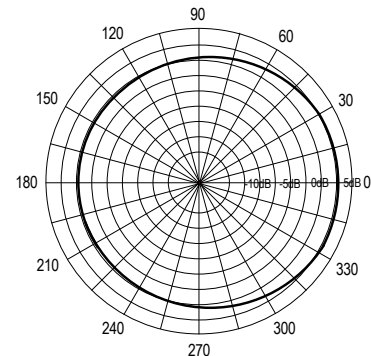
MAST DIAMETER:	1.9" (4.7cm)(Recommended)
TERMINATION:	Male N standard
CABLE LENGTH:	5' (1.5m)
LENGTH:	60" (1.52m)
WIDTH:	22". (56cm)
WEIGHT:	7 lbs.(3.1kg)
FLAT PLATE AREA:	.5 ft ²
WIND RATING:	150 MPH (241kph)
WIND LOAD:	30 lbs. (13.6kg)



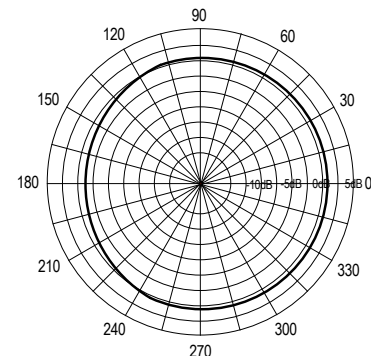
Shown with user supplied mast

HORIZONTAL PATTERNS

1/4 WAVE



1/2 WAVE



VERTICAL PATTERN

