

## Technical Specification

### 1850-1970 MHz

## B25197P

### PANEL ANTENNA

**Performance:** Directional antenna for the 1850 thru 1970MHz band providing 7.5dBi gain.

**Stylish and Durable:** These antennas are manufactured using the finest materials available. They provide great performance in a stylish package. All the plastic parts are molded using ABS material.

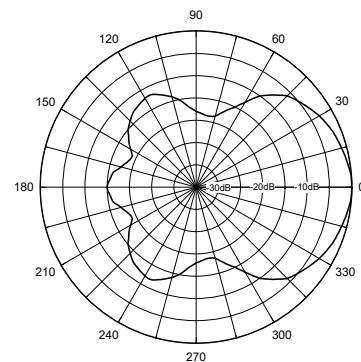
**Mounting:** Multiple mounting options are available. These include conventional wall type mounting plates.



#### SPECIFICATIONS:

|                         |                            |
|-------------------------|----------------------------|
| <b>FREQUENCY RANGE:</b> | 1850-1970MHz               |
| <b>GAIN:</b>            | 7.5 dBi (5.5 dBd)          |
| <b>FRONT TO BACK:</b>   | 18dB                       |
| <b>VSWR:</b>            | <2:1                       |
| <b>VERT BEAM WIDTH:</b> | 75°                        |
| <b>HORIZ BEAM WIDTH</b> | 60°                        |
| <b>IMPEDANCE:</b>       | 50 ohms                    |
| <b>POWER RATING:</b>    | 100 watts                  |
| <b>RADOME:</b>          | ABS                        |
| <b>COLOR:</b>           | Off white                  |
| <b>CABLE:</b>           | 12" (30cm) Teflon low loss |
| <b>THICKNESS:</b>       | 1 1/2" (4cm)               |
| <b>MOUNTING:</b>        | Wall Plate                 |
| <b>DIAMETER:</b>        | 4 1/4" (10.7cm)            |
| <b>FLAT PLATE AREA:</b> | .1406 <sup>2</sup>         |
| <b>WIND RATING:</b>     | 125 MPH (201kph)           |
| <b>WIND LOAD:</b>       | 9.5 lbs. (4.3kg)           |

#### Horizontal Pattern



#### Vertical Pattern

