

Technical Specification

2400-2500 MHz

B25247P

2.4 GHz PANEL ANTENNA

Performance: Directional antenna for the 2400 thru 2500MHz band providing 7.5dBi gain.

Stylish and Durable: These antennas are manufactured using the finest materials available. They provide great performance in a stylish package. All the plastic parts are molded using ABS material.

Mounting: Multiple mounting options are available. These antennas include conventional wall type mounting plates.



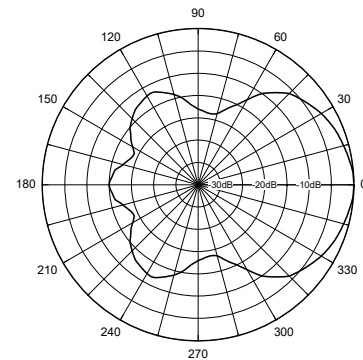
ELECTRICAL SPECIFICATIONS:

FREQUENCY RANGE:	2400-2500MHz
GAIN:	7.5 dBi (5.5 dBd)
FRONT TO BACK:	18dB
VSWR:	<2:1
VERT BEAM WIDTH:	50°
HORIZ BEAM WIDTH	55°
IMPEDANCE:	50 ohms
POWER RATING:	100 watts

MECHANICAL SPECIFICATIONS:

RADOME:	ABS
COLOR:	Off white
CABLE:	12" (30cm) Teflon low loss
THICKNESS:	1 1/2" (4cm)
MOUNTING:	Wall Plate
DIAMETER:	4 1/4" (10.7cm)
FLAT PLATE AREA:	.1406 ft ²
WIND RATING:	125 MPH (201kph)
WIND LOAD:	9.5 lbs. (4.3kg)

Horizontal Pattern



Vertical Pattern

