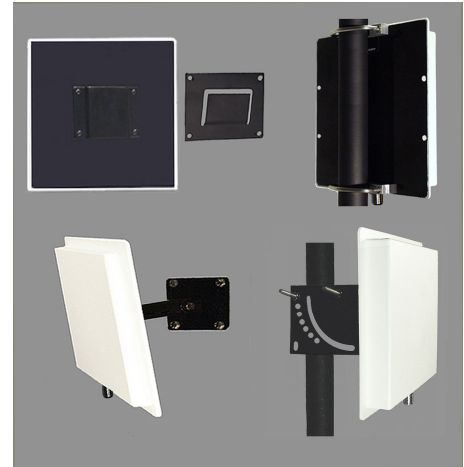


Performance: Directional panel antenna for the 2400 thru 2500MHz band providing 18 dBi gain.

Stylish and Durable: These antennas are manufactured using the finest materials available. They provide great performance in a stylish package. All the plastic parts are molded using UV inhibited ABS material that will give years of service when used inside or outside. The back plate is powder coated aluminum for excellent durability and mounting stability.

Mounting: Multiple mounting options are available. These include standard Slip mount, V-Bolt with V-Block, Indoor swivel mount and Heavy duty outdoor universal swivel mount.



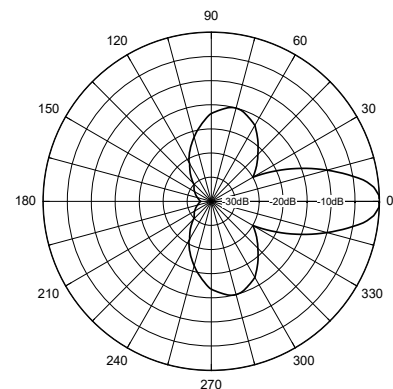
ELECTRICAL SPECIFICATIONS:

FREQUENCY RANGE:	2400-2500MHz
GAIN:	18dBi (16dBd)
FRONT TO BACK:	20dB
VSWR:	1.5:1
VERT BEAM WIDTH:	25°
HORIZ BEAM WIDTH:	25°
POLARIZATION:	Vertical / Horizontal
IMPEDANCE:	50 ohms
POWER RATING:	100 watts

MECHANICAL SPECIFICATIONS:

RADOME:	ABS, UV
COLOR:	Off white
TERMINATION:	"N" or 8" Teflon low loss
THICKNESS:	1 1/2" (4cm)
MOUNTING:	Standard Slip Mount
-V	V-Bolt & V-Block
-SM	Indoor swivel mount
-HDSM	Heavy duty Outdoor swivel mount
OVERALL SIZE:	13 1/2" (34cm)x 13 1/2" (34cm)
FLAT PLATE AREA:	1.085 ft ²
WIND RATING:	125 MPH(201kph)
WIND LOAD:	73.2 lbs (33kg)

Horizontal Pattern



Vertical Pattern

