



Installation Instructions

Surface Mount with or without GPS

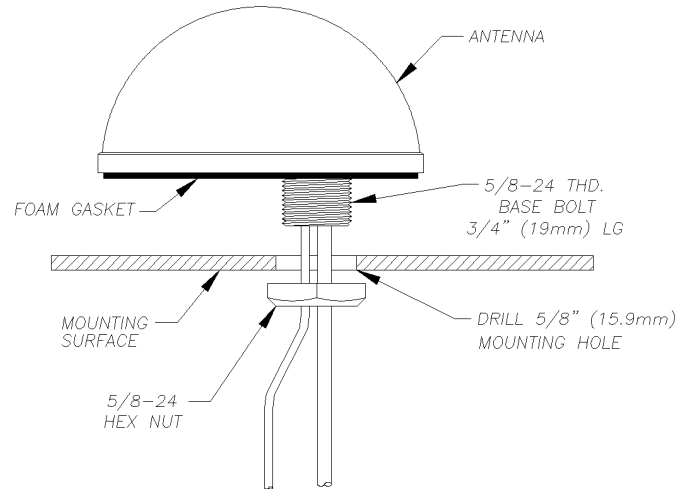
Models Covered: DM Series 1 or 2 Cables

Installation Guidelines

The DM Series of antennas are supplied with all necessary mounting hardware and a sealing gasket. Access to the underside of the body surface is required to complete the installation. A metal mounting area of at least 1 sq-ft is recommended for this antenna to perform as specified. This antenna will function without an external ground plane with possible reduced specifications.

Installation Steps

All of the DM Series antennas have a 3/4" (19 mm) long Base Bolt and can be mounted on surfaces up to 1/2 inch (12.7mm) thick. This applies regardless of whether the antenna has a single cable with a center fed Base Bolt (Below) or two cables with an off-set Base Bolt (Next Column).



Tools Suggested

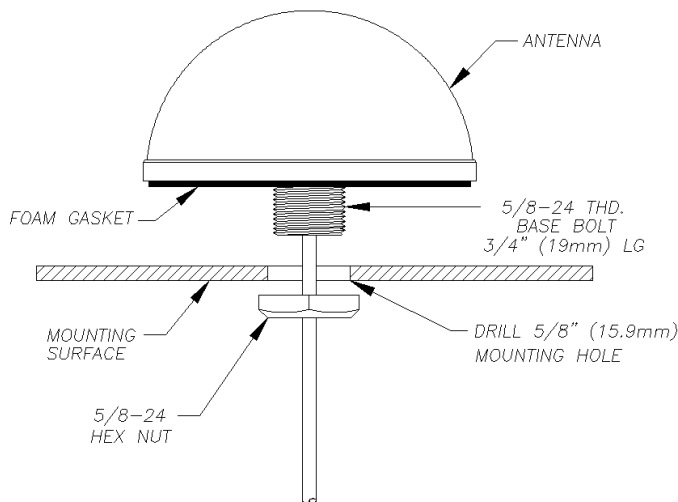
- Electronic Drill
- Hole Saw 5/8" or Hole Punch 5/8"
- Torque Wrench 5ft-lbs (6.7Nm)

To mount the antennas a 5/8" (15.9mm) hole must be drilled or punched into the surface. Make sure the mounting surface is clean.

To attach the antenna, first remove the Hex Nut. Feed the cable(s) through the hole, seat the antenna on the surface, and then reattach the Hex Nut. Use a torque wrench to tighten the Hex Nut to (5 ft-lbs. max). Next, feed the cable(s) to the equipment.

The attached gasket provides a seal to prevent moisture from entering the vehicle. For uneven surfaces, silicone may be added around the base of the antenna. Note: If the underside of the threaded Base Bolt is exposed, a sealant is required.

Cable jumpers & accessories are available from Mobile Mark Inc.



WARRANTY

Mobile Mark, Inc. (Seller) warrants to Buyer that the products for a period of two years from the date of shipment will be free from defects of material and workmanship, and will be in accordance with specifications referred to herein. Seller's sole obligation under these warranties will be limited to either, at Seller's option and expense, repairing, or furnishing a replacement F.O.B. First point of shipment for the products or parts thereof which Seller reasonably determines do not conform with these warranties, and Buyer's exclusive remedy for breach of any of such warranties will be enforcement of such obligations of Seller. THE FOREGOING WARRANTIES ARE EXCLUSIVE AND IN LIEU OF ALL OTHER WARRANTIES OF MERCHANTABILITY, FITNESS FOR PURPOSE AND OF ANY OTHER TYPE, WHETHER EXPRESS OF IMPLIED. IN NO EVENT SHALL SELLER BE LIABLE FOR CONSEQUENTIAL DAMAGES, nor shall Seller's liability on any claims for damages arising out of or connected with the sales contract for the manufacture, sale, delivery or use of the products exceed the purchase price of the products. Any action for breach of warranty must be commenced within one year after the cause of action accrues.