



Installation Instruction

LMW Series

Models Covered: LMW Series

INSTALLATION GUIDELINES

Mobile Mark's LMW Series antennas have two cables, the first is for data and the second is for GPS. The standard length of the cables is 15 Feet (4.57 Meters).

The best mounting location for the antenna is on a flat horizontal metal surface such as the vehicle's roof. The LMW antenna must be mounted on a vehicle's metal surface or a metal plate because the antenna requires a metal ground plane.

Mount it so its view of the horizon is not obstructed. If the antenna is to be mounted in the vicinity of other antennas, try to keep it away from the other antennas by at least 6 Inches (153mm). A location must be chosen with access below the antenna when it is on the mounting surface, so that antenna hardware can be attached to the Base Bolt. The mounting surface must not be thicker than 1/4" [19mm].

INSTALLATION STEPS

To mount the antenna a hole must be drilled or punched into the metal mounting surface. The diameter of the hole must be at least 5/8" [15.9mm], but not larger than 3/4" [19mm]. Locate the place to mount the antenna and mark or Center Punch the location. After the hole is made, the surface should be cleared of metal burrs before mounting the antenna.

Tools Suggested

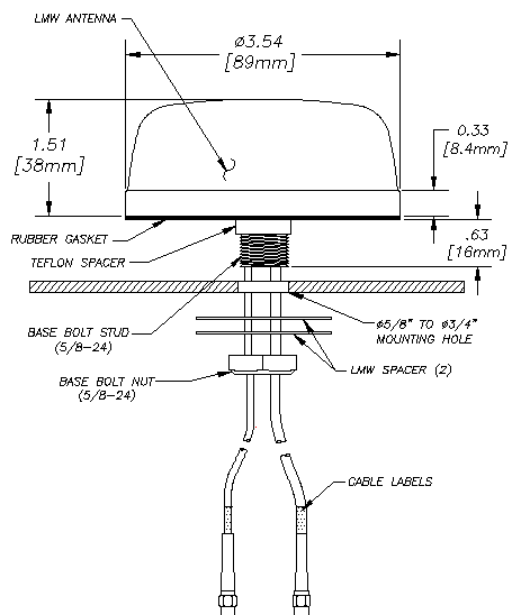
- Electronic Drill
- 5/8" (2.22cm) Hole Saw or Hole Punch
- Torque Wrench 5ft-lbs (6.7Nm)

Even though the antenna requires a metal mounting surface, the metal parts of the antenna must not touch the metal surface. To prevent this from happening, two Plastic Spacers and an Insulating Tube on the Base Bolt keep the antenna from touching the metal mounting surface.

Remove the large Jam nut, Lock-washer and two Plastic Spacers from the antenna and cables. Feed the two cables through the hole in the metal surface. If the connectors are large feed them through the hole one at a time. Put the Base Bolt through the hole and lay the antenna flat on the mounting surface. Slide the two Spacers and then the Lock-washer over the connectors and slide them up the cables to, and on, the Base Bolt. Reattach the Jam Nut from underneath the mounting surface, see Figure below.

The Jam nut should be tight in order to properly seal the gasket on the bottom of the antenna. Tighten the nut with a wrench 5 ft.-lbs. (6.7Nm) Max. Too little torque may not seal the base and too much torque could distort the surface. Silicone glue may be added around the bottom of the antenna in cases of an uneven mounting surface.

Feed the cables to the equipment and attach them directly to equipment, or through additional cable jumpers.



Cable jumpers & accessories are available from Mobile Mark Inc..

WARRANTY

Mobile Mark, Inc. (Seller) warrants to Buyer that the products for a period of two years from the date of shipment will be free from defects of material and workmanship, and will be in accordance with specifications referred to herein. Seller's sole obligation under these warranties will be limited to either, at Seller's option and expense, repairing, or furnishing a replacement F.O.B. First point of shipment for the products or parts thereof which Seller reasonably determines do not conform with these warranties, and Buyer's exclusive remedy for breach of any of such warranties will be enforcement of such obligations of Seller. THE FOREGOING WARRANTIES ARE EXCLUSIVE AND IN LIEU OF ALL OTHER WARRANTIES OF MERCHANTABILITY, FITNESS FOR PURPOSE AND OF ANY OTHER TYPE, WHETHER EXPRESS OR IMPLIED. IN NO EVENT SHALL SELLER BE LIABLE FOR CONSEQUENTIAL DAMAGES, nor shall Seller's liability on any claims for damages arising out of or connected with the sales contract for the manufacture, sale, delivery or use of the products exceed the purchase price of the products. Any action for breach of warranty must be commenced within one year after the cause of action accrues.