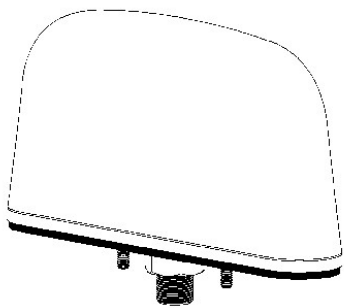


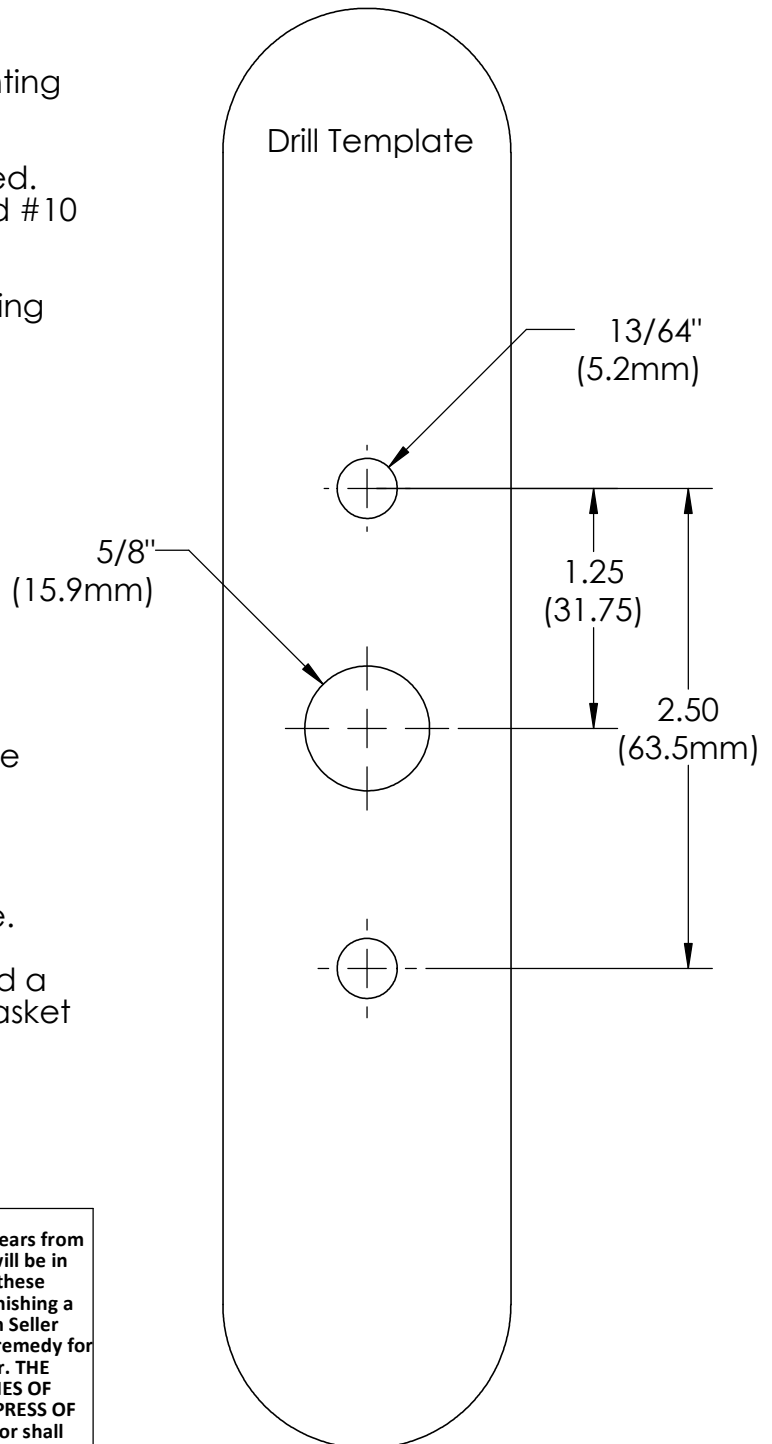
## LTB and BD Series Installation Instructions

### INSTALLATION STEPS:

- Drill a 5/8" (15.9mm) hole through the mounting surface.
- LTB: An optional Anit-Rotation stud is included. Drill (1) 13/64" (5.2mm) hole and use supplied #10 threaded stud and nut.
- BD: The BD series has two additional mounting studs. Drill (2) 13/64" (5.2mm) holes.



Shown: BD Antenna with mounting studs



- Clean surface where new antenna is to be mounted.
- Remove all the paper from gasket.
- Feed cable(s) and base bolt through hole.
- (OPTIONAL) If additional sealing is required a bead of silicone can be applied to the gasket
- Attach lock washer and hex nut
- Tighten nuts to 5 lb./ft. (6.8Nm)  
**NOTE: DO NOT OVERTIGHTEN**

#### WARRANTY

Mobile Mark, Inc. (Seller) warrants to Buyer that the products for a period of three years from the date of shipment will be free from defects of material and workmanship, and will be in accordance with specifications referred to herein. Seller's sole obligation under these warranties will be limited to either, at Seller's option and expense, repairing, or furnishing a replacement F.O.B. First point of shipment for the products or parts thereof which Seller reasonably determines do not conform with these warranties, and Buyer's exclusive remedy for breach of any of such warranties will be enforcement of such obligations of Seller. THE FOREGOING WARRANTIES ARE EXCLUSIVE AND IN LIEU OF ALL OTHER WARRANTIES OF MERCHANTABILITY, FITNESS FOR PURPOSE AND OF ANY OTHER TYPE, WHETHER EXPRESS OR IMPLIED. IN NO EVENT SHALL SELLER BE LIABLE FOR CONSEQUENTIAL DAMAGES, nor shall Seller's liability on any claims for damages arising out of or connected with the sales contract for the manufacture, sale, delivery or use of the products exceed the purchase price of the products. Any action for breach of warranty must be commenced within one year after the cause of action accrues.