

Antenna Mounting

The best performance is always obtained by positioning the antenna at the center of the vehicle roof. Other options include a rear trunk deck or fender. These options do not provide optimum performance but may allow acceptable results.

Most antennas require a good ground plane for optimum performance. Poor ground planes and improper mounting position may cause less than optimum results.

WARRANTY

Mobile Mark, Inc. (Seller) warrants to Buyer that the products for a period of two years from the date of shipment will be free from defects of material and workmanship, and will be in accordance with specifications referred to herein. Seller's sole obligation under these warranties will be limited to either, at Seller's option and expense, repairing, or furnishing a replacement F.O.B. First point of shipment for the products or parts thereof which Seller reasonably determines do not conform with these warranties, and Buyer's exclusive remedy for breach of any of such warranties will be enforcement of such obligations of Seller. THE FOREGOING WARRANTIES ARE EXCLUSIVE AND IN LIEU OF ALL OTHER WARRANTIES OF MERCHANTABILITY, FITNESS FOR PURPOSE AND OF ANY OTHER TYPE, WHETHER EXPRESS OR IMPLIED. IN NO EVENT SHALL SELLER BE LIABLE FOR CONSEQUENTIAL DAMAGES, nor shall Seller's liability on any claims for damages arising out of or connected with the sales contract for the manufacture, sale, delivery or use of the products exceed the purchase price of the products. Any action for breach of warranty must be commenced within one year after the cause of action accrues.

US Office & Headquarters: 1140 W. Thorndale Ave.
Itasca, IL 60143, USA

Toll free: 1-800-648-2800 (US & Canada)

Phone: 1-847-671-6690 · Fax 1-847-250-5120

UK Office: 8 Miras Business Park

Hednesford, Staffordshire, WS12 2fs, UK

Tel: (+44) 1543 459555 (UK)

Fax: (+44) 1543 459545

www.mobilemark.com

Moving Wireless Forward®



Made in the USA



Low Profile Series



Assembly Instructions

Low Profile Series

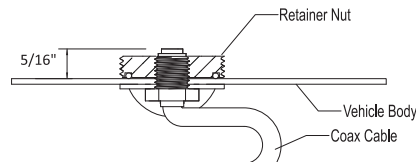
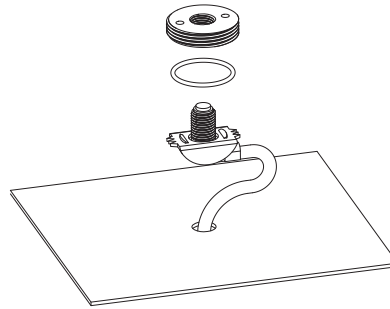
To install:

Both versions of this style antenna mount the same way:

If it is being used to replace an existing antenna that is installed on a standard NMO or TAD type mount, it can be screwed on the existing mount. Care should be taken to make sure the existing mount was installed on a flat surface with enough clearance for the 4-1/2" (11.4cm") radome.

If it is a new installation, the same procedures for mounting a standard NMO or TAD type mount kit should be followed. This antenna works very well with the Comtelco C mount which can be mounted using a 3/8" (9.5mm) hole and provides a good 50 ohm constant impedance which is especially important for coverage up to 1970 MHz.

INSTALLATION INSTRUCTIONS FOR MOBILE MARK "C" MOUNT IN 3/8" (9.5mm) OR 3/4" (19mm) HOLE



Drill a 3/8" (9.5mm) or 3/4" (19mm) hole in the car body at the desired location. Clean any burrs and paint from the area around the edge of the hole.

For a 3/4" (19mm) hole, route coax from the outside of the car through the hole. Tilt the mounting assembly at a slight angle and insert it into the hole.

For a 3/8" (9.5mm) hole, the assembly must be fed through the underside of the mounting surface. When mounting through a heavy wall material or a fiberglass body the stainless-steel saddle should be discarded.

Thread the retaining nut with the "O" ring in position on the stud. Tighten the retaining nut making sure the "O" ring becomes compressed enough for the retaining nut to come in contact with the mounting surface.

ATTENTION: Always wear safety glasses and follow the proper safety practices when installing this antenna.



The antenna itself is totally self-contained and needs no tuning. The mounting pad allows for some variation in the flatness of the surface and provides a scratch resistant surface for mounting. The thickness of the mounting pad is critical to the performance of the antenna. It should be screwed on snugly but not over tightened. It will withstand the effects of a car wash but it can be removed and reinstalled without any tools.

The antenna works best when installed in the center of a flat mounting surface that provides a good ground plane.

The antenna can be painted with a non-metallic paint if desired.

Previously Comtelco 68A126A01

950-063-9-001-0619	DR: SM	APP: LW	REV. B
--------------------	--------	---------	--------