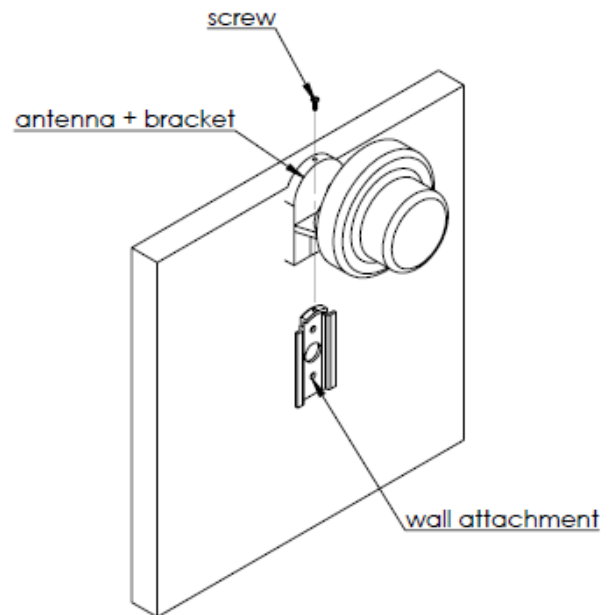
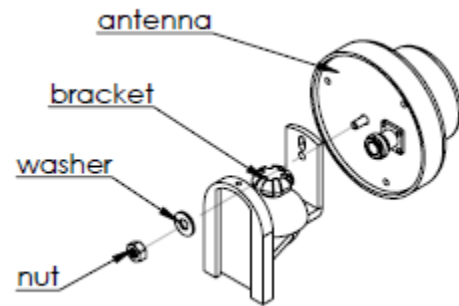


XW Hemispherical Outdoor Series Installation Instructions

INSTALLATION STEPS:

- Set the orientation of the bracket by loosening the knob, moving the upper part and retightening the knob
- Attach the antenna to the bracket using the supplied hardware
- Tighten nut to 5 lb./ft. (6.8 Nm)
- Attach the wall attachment to the wall
- Slide the antenna with the bracket in the wall attachment and use the screw to secure it



NOTE: DO NOT overtighten

ATTENTION: Always wear safety glasses and follow the proper safety practices when installing this antenna.

Products covered by this guide:
XW-24I-OH7G / XW-24I-OH7W

WARRANTY

Mobile Mark, Inc. (Seller) warrants to Buyer that the products for a period of two years from the date of shipment will be free from defects of material and workmanship, and will be in accordance with specifications referred to herein. Seller's sole obligation under these warranties will be limited to either, at Seller's option and expense, repairing, or furnishing a replacement F.O.B. First point of shipment for the products or parts thereof which Seller reasonably determines do not conform with these warranties, and Buyer's exclusive remedy for breach of any of such warranties will be enforcement of such obligations of Seller. THE FOREGOING WARRANTIES ARE EXCLUSIVE AND IN LIEU OF ALL OTHER WARRANTIES OF MERCHANTABILITY, FITNESS FOR PURPOSE AND OF ANY OTHER TYPE, WHETHER EXPRESS OR IMPLIED. IN NO EVENT SHALL SELLER BE LIABLE FOR CONSEQUENTIAL DAMAGES, nor shall Seller's liability on any claims for damages arising out of or connected with the sales contract for the manufacture, sale, delivery or use of the products exceed the purchase price of the products. Any action for breach of warranty must be commenced within one year after the cause of action accrues.

1140 W. Thorndale Ave. · Itasca, IL 60143, USA · www.mobilemark.com

Toll free: 1-800-648-2800 (US & Canada) · Phone 1-847-671-6690 · Fax 1-847-250-5120

Moving Wireless Forward™