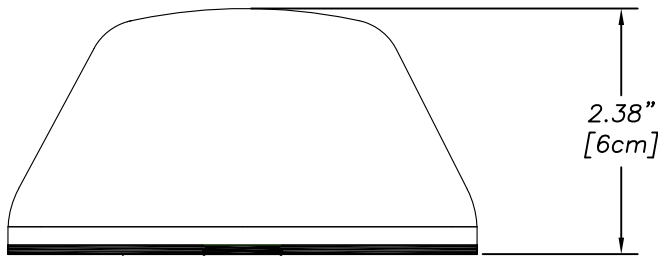
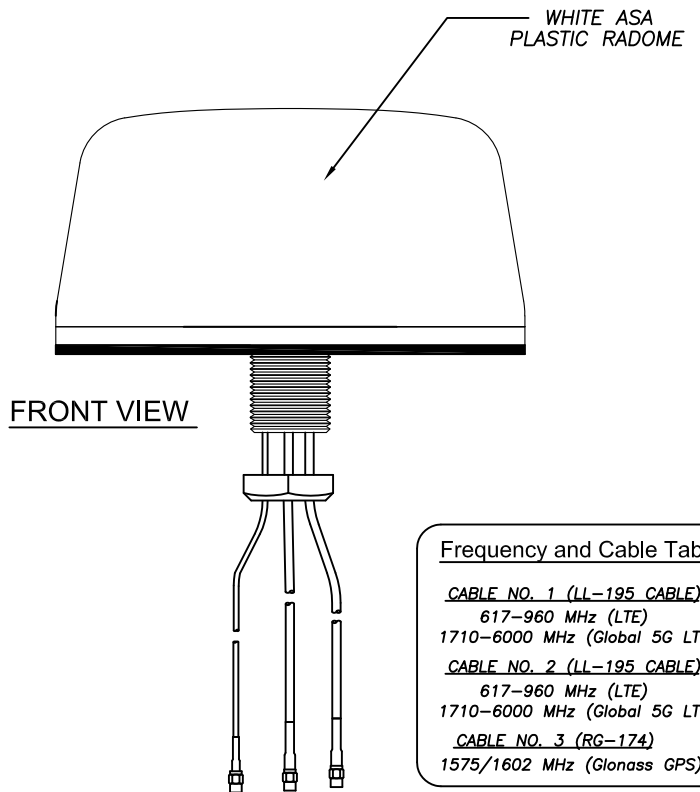


LTMG308-3C3C2C-WHT-180

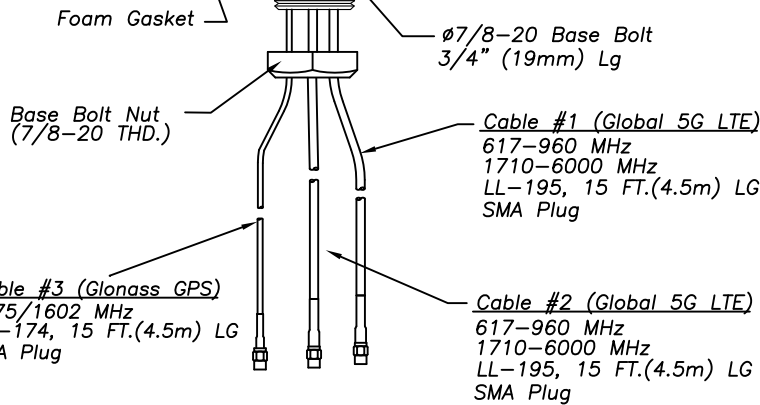
Multi-band Diversity/Mimo Antenna
2 X 617-960 MHz, 1710-6000 MHz (Global 5G LTE)
Glonass GPS 1575/1602 MHz



SIDE VIEW

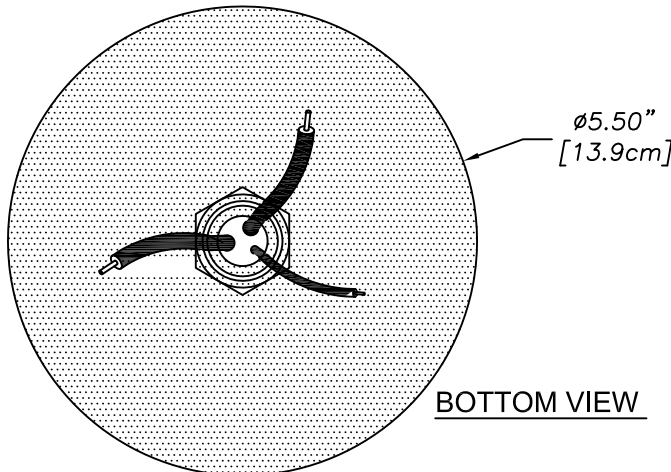


FRONT VIEW



Frequency and Cable Table

CABLE NO. 1 (LL-195 CABLE)
617-960 MHz (LTE)
1710-6000 MHz (Global 5G LTE)
CABLE NO. 2 (LL-195 CABLE)
617-960 MHz (LTE)
1710-6000 MHz (Global 5G LTE)
CABLE NO. 3 (RG-174)
1575/1602 MHz (Glonass GPS)



BOTTOM VIEW

Antenna Specifications

- Gain:
 - 617-960 MHz 3dBi Peak
 - 1710-6000 MHz 4dBi Peak
 - 2.4-2.5 GHz/4.9-6 GHz 5dBi Peak
- Glonass GPS 1575 MHz/1602 MHz
 - Amplifier Gain 16 dB
 - Noise Figure 1.5 dB (Typ.)
 - Voltage 3.3/5 VDC
 - Current 10mA (typ.), 20mA (max.)
- **VSWR:
 - 617-960 MHz 2.2 MAX, <2:1 TYP.
 - 1710-6000 MHz <2:1

- Maximum Power: 10 Watts
- Connectors/Interface: SMA Plugs
- Case: 5.50" Dia.(13.9cm) x 2.38" (6cm) High

- Radome Material: ASA UV Inhibitive Plastic
- Cable
 - cable 1 — LL-195, 15 ft.(4.5m) (617-960 MHz/1710-6000 MHz)
 - cable 2 — LL-195, 15 ft.(4.5m) (617-960 MHz/1710-6000 MHz)
 - cable 3 — RG-174, 15 ft.(4.5m) (Glonass GPS 1575/1602 MHz)

- Impedance: 50 OHM Nominal
- Water Ingress: IPX7 (when properly mounted)
- Shock & Vibration: IEEE1478, EN61373, MIL-810G, TIA 329.2-C
- Mounting:
 - 7/8" (22.2mm) Dia. Feed through.
 - 3/4" (19mm) lg. thread for up to 1/2" (12.7mm) thick surface
- Operating Temperature: -40° to +80° C

** Gain and VSWR measured with 1 ft cable on 24" Ground Plane RP 10/8/19 Rev A



US OFFICE & HEADQUARTERS: 1140 W THORNDALE AVE, ITASCA, IL 60143
 TEL: (847) 671-6690 * FAX (847) 250-5120

UK OFFICE: 8 MIRAS BUS PARK, KEYS PARK ROAD, HEDNESFORD WS12 2FS, UK.
 UK TEL: (+44) 1543-459555 FAX (+44) 1543-459545
 VISIT OUR WEBSITE AT WWW.MOBILEMARK.COM

