

## Technical Specification

### 746-960 MHz 10dBd/12dBi Gain

## Y6687D-746

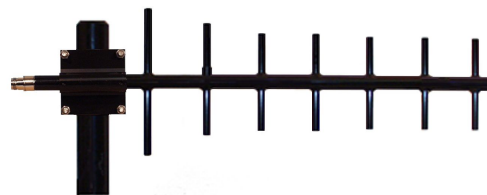
### FULLY WELDED YAGI

**High Performance:** These antennas provide 10.2dBd, wide band performance.

**Rugged and weatherproof:** The construction of our heavy duty end fed yagis feature aluminum heavy wall tubing and 3/8" solid elements. All exposed areas are coated with UV polyester. The feed system is completely enclosed.

**Lightweight and Durable:** These antennas are easily installed by one person.

**Termination :** Direct Female Type "N"



#### ELECTRICAL SPECIFICATIONS:

**GAIN:** 10dBd F/B 20dB

**FREQUENCY:**

-746 746-896MHz

-890 890-960MHz

-915 900-930MHz

**VSWR:** 2:1

**VERT BEAMWIDTH:** 45°

**HORIZ BEAM WIDTH:** 55°

**RATING :** 300 watts, 50 ohms impedance

#### MECHANICAL SPECIFICATIONS:

**MATERIAL:** 1" (2.54cm) heavy wall aluminum

3/8" (9.5mm) solid elements

**FINISH:** UV inhibited polyester coat

**LENGTH:** 27" (69.cm)

**WIDTH:** 8.5" (21.5cm)

**WEIGHT:** 3 lbs. (1.3kg)

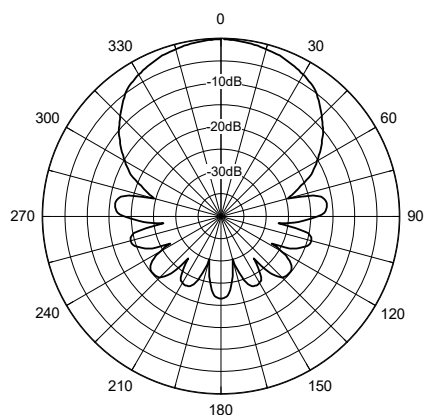
**MOUNT:** 2 3/8" (6cm)

**FLAT PLATE AREA:** .265 ft

**WIND RATING:** 125 MPH (201kph)

**WIND LOAD:** 15.9 lbs (7.2kg)

**Horizontal Pattern**



**Vertical Pattern**

