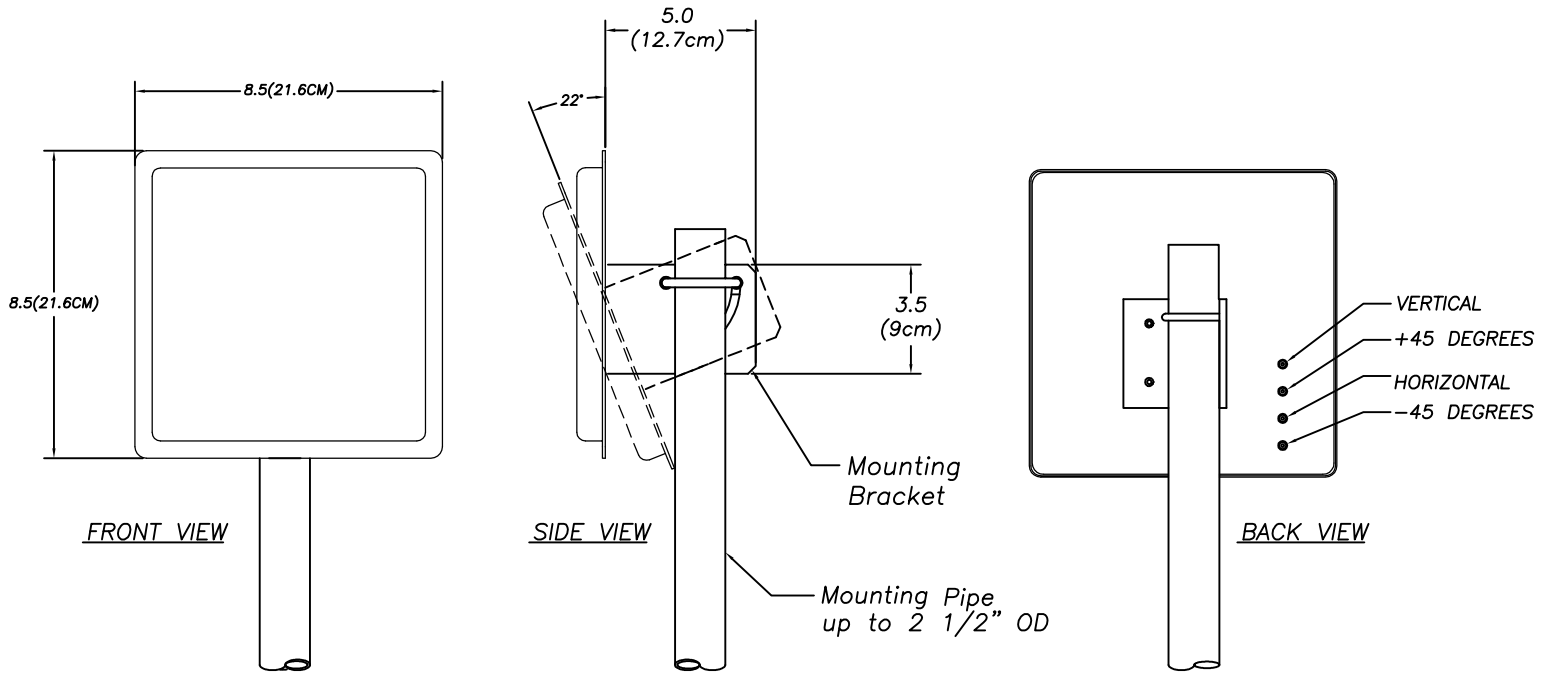


# PND8-3800-4X-WHT

## Quad-Polarization MIMO 4x4, 8dBi 3.4-4.2 GHz, Directional Antenna



### Antenna Specifications:

Frequency/Polarization:	Connector #1: 3.4-4.2 GHz, Vertical
	Connector #2: 3.4-4.2 GHz, +45° Slant
	Connector #3: 3.4-4.2 GHz, Horizontal
	Connector #4: 3.4-4.2 GHz, -45° Slant
Gain:	8 dBi, 3.4-4.2 GHz, 70° Azimuth x 60° Elevation
VSWR:	<2:1
Front to Back Ratio:	25 dB Minimum
Antenna Isolation:	25 dB Minimum
Radome Material:	White "ABS" Plastic
Nominal Impedance:	50 OHM Nominal
Maximum Power:	10 Watts
Connector:	4 x SMA Jacks
Mounting:	Standard Swivel Tilt Mounting
Operating Temperature:	-40°C to +85°C



US OFFICE & HEADQUARTERS: 1140 W THORNDALE AVE. ITASCA, IL 60143  
 TEL: (847) 671-6690 \* FAX (847) 671-6715  
 UK OFFICE: 8 MIRAS BUS PARK, KEYS PARK ROAD. HEDNESFORD WS12 2FS, UK.  
 UK TEL: (+44) 1543-459555 FAX (+44) 1543-459545  
 VISIT OUR WEBSITE AT WWW.MOBILEMARK.COM