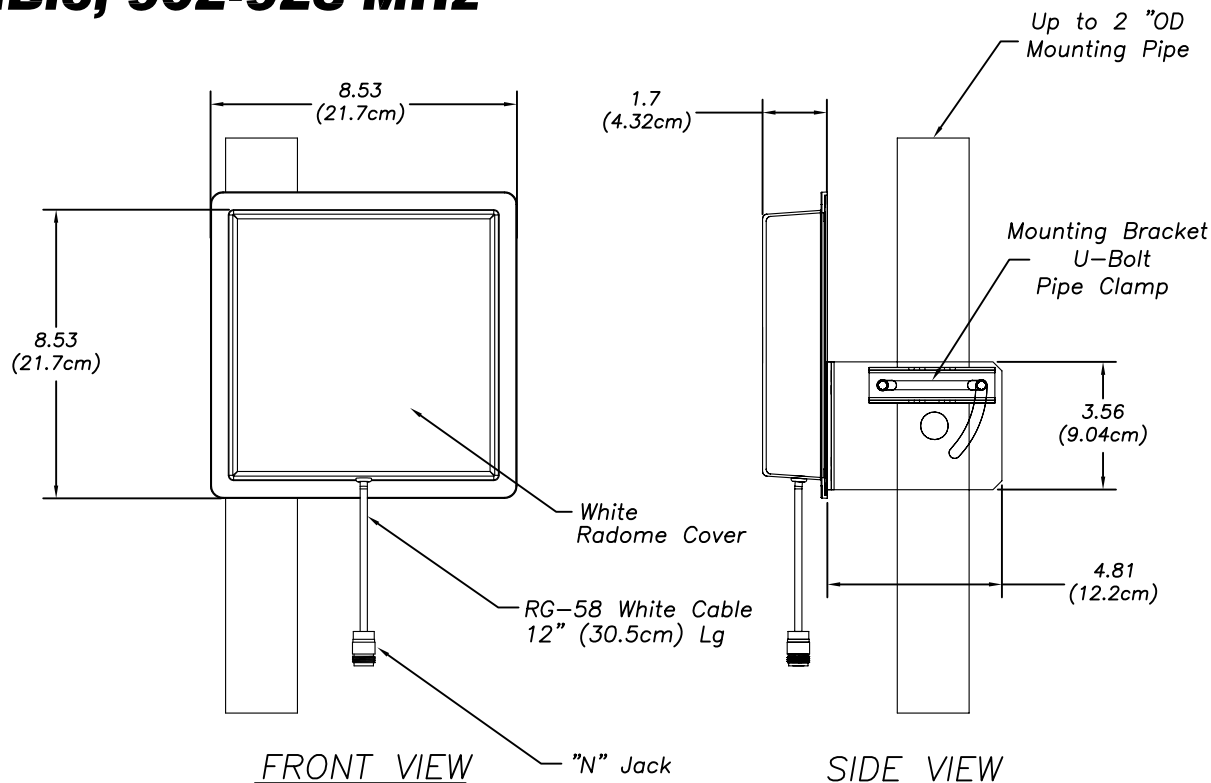
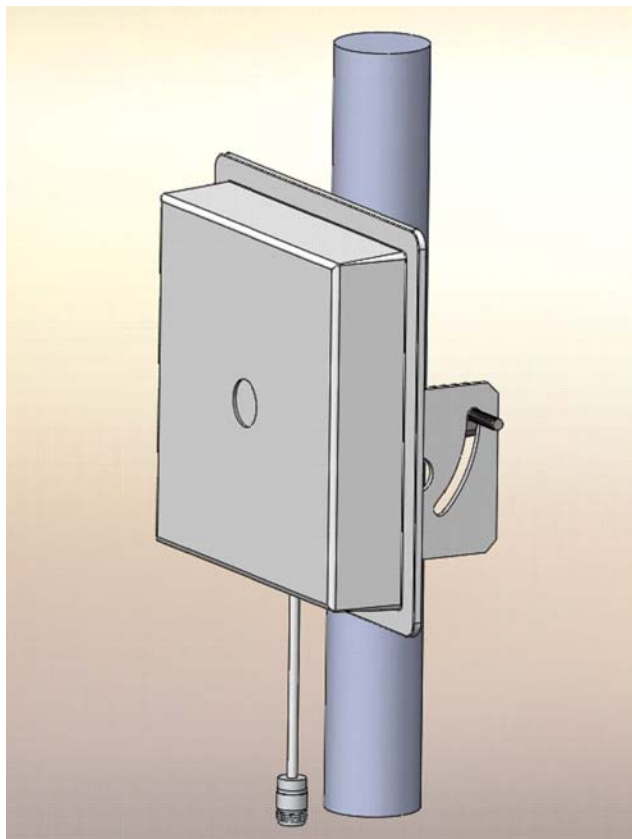


# PL8-915RCP-1Y-WHT-12

## RFID RHCP Patch Antenna 8 dBic, 902-928 MHz



### Antenna Specifications:

Frequency:	902-928 MHz
Gain:	8 dBic RHCP
Beamwidth:	70° Azimuth, 70° Elevation
Polarization:	RHCP, Axial Ratio <3dB
VSWR:	<2:1
Radome Material:	White "ASA" Plastic
Nominal Impedance:	50 OHM Nominal
Cable:	12" (30.5cm) RG-58 White Cable
Maximum Power:	20 Watts
Connector:	N Jack
Mounting:	Standard Swivel Tilt Mounting
Operating Temperature:	-40°C to +85°C

**MobileMark**  
antenna solutions

US OFFICE & HEADQUARTERS: 1140 W THORNDALE AVE, ITASCA, IL 60143  
TEL: (847) 671-6690 \* FAX (847) 250-5120

UK OFFICE: 8 MIRAS BUS PARK, KEYS PARK ROAD, HEDNESFORD WS12 2FS, UK.  
UK TEL: (+44) 1543-459555 FAX (+44) 1543-459545

VISIT OUR WEBSITE AT WWW.MOBILEMARK.COM

