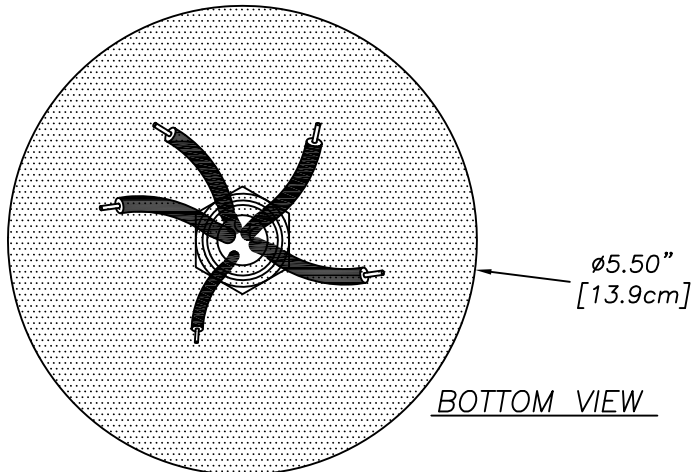
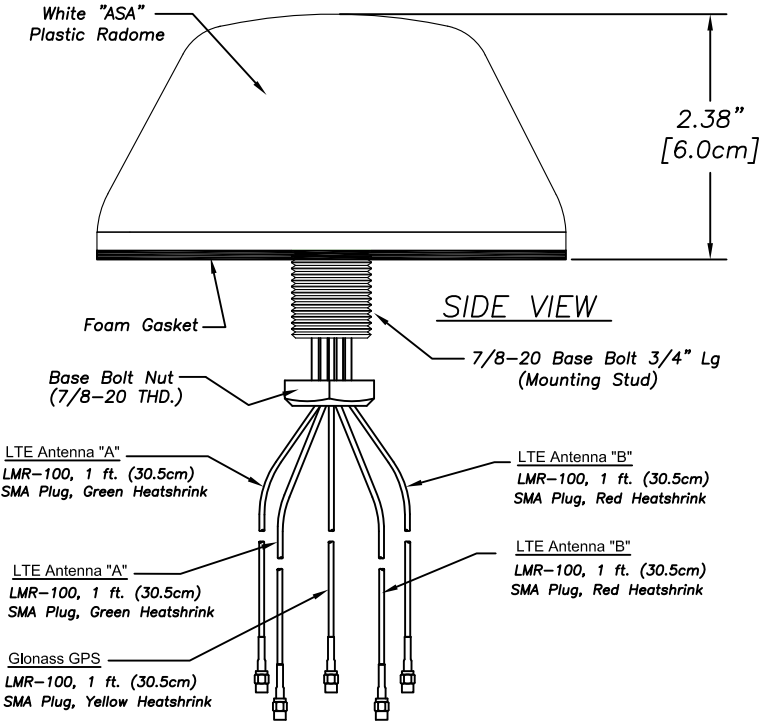


# LTMG940-A3CB3C00G2C-WHT-180

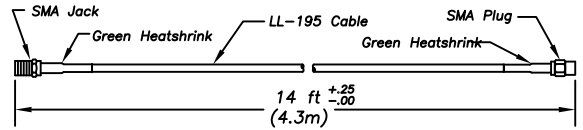
**Dual Carrier Multi-Band Mimo Antenna**  
**4 X 694-960 MHz, 1710-3700 MHz (Global LTE)**  
**with GPS / GLONASS**



## Jumper Cable Assemblies

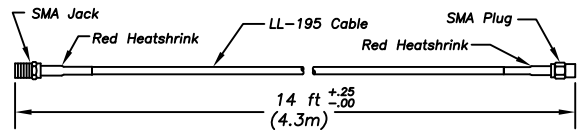
### CA168/195-VC-GRN-LTE-A (LTE Antenna "A")

Cable Assembly: 14 ft (4.3m) LL-195 Cable with SMA Jack and SMA Plug



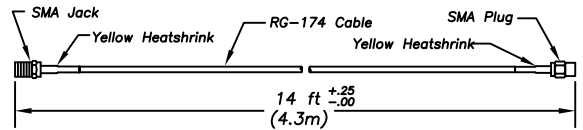
### CA168/195-VC-RED-LTE-B (LTE Antenna "B")

Cable Assembly: 14 ft (4.3m) LL-195 Cable with SMA Jack and SMA Plug



### CA168/174-VC-YLW-GNSS (Glomass GPS)

Cable Assembly: 14 ft (4.3m) RG-174 Cable with SMA Jack and SMA Plug



## Antenna Specifications

\*\*Frequency/Gain: — LTE 694-960 MHz, 2dBi Peak  
 — LTE 1710-3700 MHz, 5dBi Peak

GPS/GLONASS Gain — 26 dB, 5 dBi Antenna  
 Voltage — 3.3/5 VDC  
 Current — 10mA (typ.), 20mA (max.)

\*\*VSWR: — < 2.5:1 VSWR over range (with 12" LMR-100)

Maximum Power: — 10 Watts

Connectors/Interface: — SMA Plugs through out

Case: — 5.50" (13.9cm) Dia. x 2.38" (6.0cm) High

Radome Material: — ASA UV Inhibitive Plastic

Cable: — LTE Antenna "A" — LMR-100, 1 ft. (30.5cm) (694-960/1710-3700 MHz)  
 — LTE Antenna "B" — LMR-100, 1 ft. (30.5cm) (694-960/1710-3700 MHz)  
 — Glomass GPS — RG-174, 1 ft. (30.5cm) (1575/1602 MHz)

Cable Assembly Jumpers: — "See Chart above"

Impedance: — 50 OHM Nominal

Water Ingress: — IP67 (when properly mounted)

Shock & Vibration: — IEEE1478, EN61373, MIL-810G, TIA 329.2-C

Mounting: — 7/8" Dia. Feed through.  
 — 3/4" lg. thread for up to 1/2" thick surface

Operating Temperature: — -40° to +80° C

\*\* Gain and VSWR measured with 12" cable on 12" Ground Plane  
 \*\*\* To achieve optimal performance it is not recommended that LTE Antenna A and B operate on the same band simultaneously

RCP 10/6/20 A

**MobileMark**  
 antenna solutions

US OFFICE & HEADQUARTERS: 1140 W THORNDALE AVE, ITASCA, IL 60143  
 TEL: (847) 671-6690 \* FAX (847) 250-5120

UK OFFICE: 8 MIRAS BUS PARK, KEYS PARK ROAD, HEDNESFORD WS12 2FS, UK  
 UK TEL: (+44) 1543-459555 FAX (+44) 1543-459545

VISIT OUR WEBSITE AT WWW.MOBILEMARK.COM

