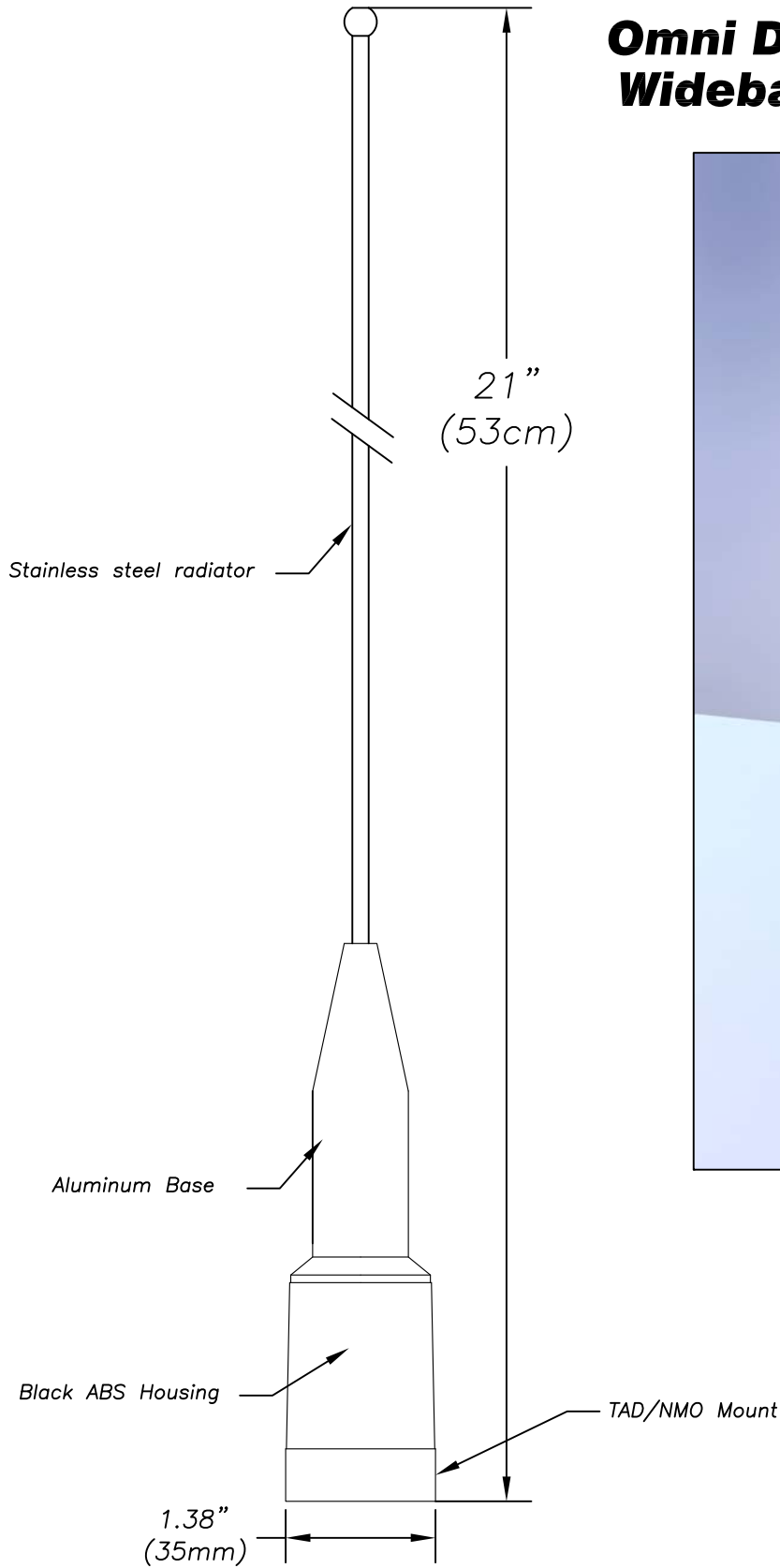


A1811WB

Omni Directional Mobile Antenna Wideband No Tune 136-174 MHz



Antenna Specifications:

- Frequency: 136–174 MHz
- Gain: 3 dBi
- VSWR: <2:1 groundplane required
- Nominal Impedance: 50 OHM Nominal
- Maximum Power: 200 Watts
- Connector: Spring loaded contact
- Radiator: Stainless steel
- Base: ABS and aluminum
- Mounting: Standard TAD/NMO type
- Height: 21.25" (54cm)
- Temperature: -40C to +80C
- Style: Solid base
- Color: Black



US OFFICE & HEADQUARTERS: 1140 W THORNDALE AVE, ITASCA, IL 60143
 TEL: (847) 671-6690 * FAX (847) 250-5120
 UK OFFICE: 8 MIRAS BUS PARK, KEYS PARK ROAD, HEDNESFORD WS12 2FS, UK.
 UK TEL: (+44) 1543-459555 FAX (+44) 1543-459545
 VISIT OUR WEBSITE AT WWW.MOBILEMARK.COM