

**Technical Specification**

**150-174 MHz, 220-225 MHz**

**LOW PROFILE CEILING MOUNT ANTENNA**

**Performance:** These antennas provide unity gain in a design for heavy duty service. They have a power handling capacity of 150 watts. This antenna has a 1MHz band width. Must specify center frequency upon ordering.

**Stylish and Durable:** These antennas are manufactured using the finest materials and finishes available. The covers are molded using UV inhibited ABS plastic and are available in black or white finishes. (Custom colors are available)

**Reliable:** The ABS base has an ultrasonically welded brass insert and a gold plated spring loaded contact.

**Standard Mounting:** These antennas can be used in ceiling mount applications to provide omni-directional operation. Type "N" termination provides an easy way to install through standard ceiling tiles. This antenna is supplied with an 8" ground plane.



**ELECTRICAL SPECIFICATIONS:**

**FREQUENCY RANGE:**

A1611	150-174MHz
A1621	220-225MHz

**BANDWIDTH:**

A1611	1MHz
A1621	3MHz

**GAIN:** Unity

**IMPEDANCE:** 50 ohms

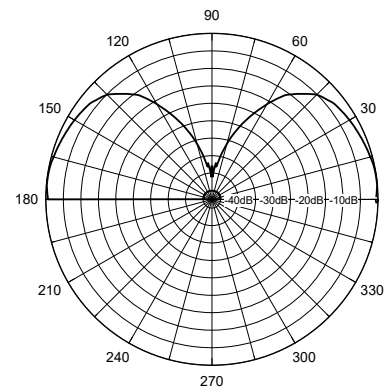
**POWER RATING:** 150 watts

**VSWR:** <2.0:1

**MECHANICAL SPECIFICATIONS:**

<b>RADOME:</b>	UV inhibited ABS plastic
<b>BASE:</b>	ABS, Ultrasonic brass insert
<b>CONTACT:</b>	Gold plated spring loaded contact
<b>HEIGHT:</b>	3 1/4" (8.2cm)
<b>DIAMETER:</b>	3" (7.6cm)
<b>MOUNTING:</b>	Type "N" Female Termination
<b>COLOR:</b>	White or Black

**Vertical Pattern**



**Inverted Vertical Pattern**

