

### 806-960 MHz 10.2dBd Gain

### YAGI ANTENNA

**High Performance:** These antennas provide 10.2dBd, wide band performance.

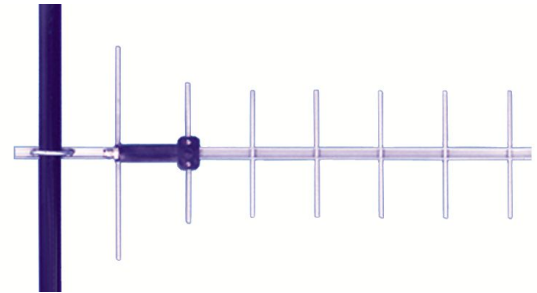
**Rugged and weatherproof:** The construction of our standard duty yagis feature 1/2"aluminum U channel with 1/4" solid elements. All exposed areas are coated with UV polyester. The balun assembly is filled and sealed with elastomeric thermoplastic.

**Lightweight and Durable:** These antennas are easily installed by one person.

#### Termination Options:

**Type A:** 12" Teflon pigtail with N connector.

**Type B:** Direct TNC connection to the balun.



#### ELECTRICAL SPECIFICATIONS:

**GAIN:** 10.2dBd F/B 20dB

**FREQUENCY:**  
 -06 806-896MHz <2:1 VSWR  
 -66 866-960MHz <2:1 VSWR  
 -915 900-930MHz <2:1 VSWR

**VERT BEAMWIDTH:** 50°

**HORIZ BEAM WIDTH:** 55°

**RATING :** 300 watts, 50 ohms impedance

#### MECHANICAL SPECIFICATIONS:

**MATERIAL:** 1/2" (1.27cm)aluminum U channel boom

1/4" (3.1cm) solid elements

**FINISH:** UV inhibited polyester coat

**LENGTH:** 26" 66cm)

**WEIGHT:** <2 lbs. (907g)

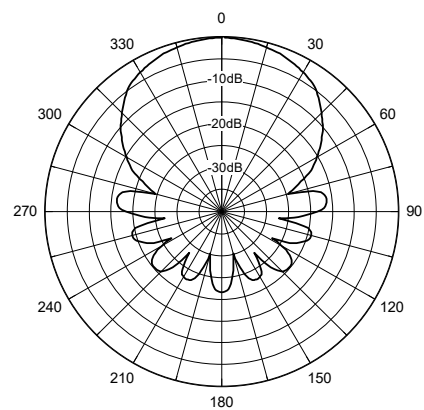
**MOUNT:** 1 5/8" (1.4cm) mast, stainless hardware

**FLAT PLATE AREA:** .146 ft<sup>2</sup>

**WIND RATING:** 125 MPH (201kph)

**WIND LOAD:** 8.8 lbs. (3.9kg)

**Horizontal Pattern**



**Vertical Pattern**

