

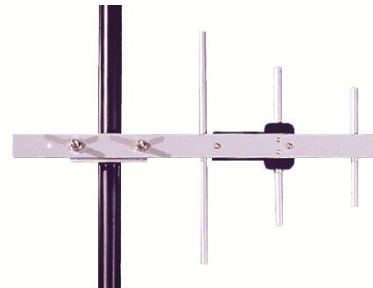
**High Performance:** These antennas provide 6dBd, wide band performance.

**Rugged and weatherproof:** The construction of our heavy duty yagis feature 1" aluminum U channel with 3/8" solid elements. All exposed areas are coated with UV polyester epoxy. The balun assembly is filled and sealed with elastomeric thermoplastic.

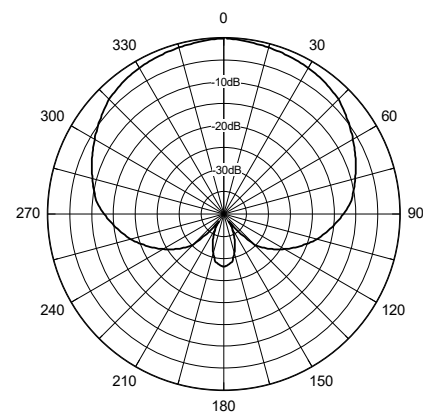
**Lightweight and Durable:** These antennas are easily installed by one person.

**Termination Options:**

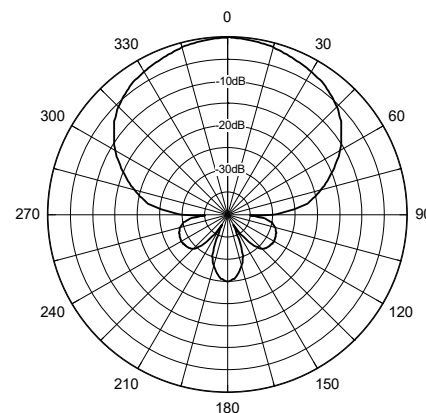
**Type D:** Direct N connection to the balun.



**Horizontal Pattern**



**Vertical Pattern**



**ELECTRICAL SPECIFICATIONS:**

<b>GAIN:</b>	6.0dBd F/B 15dB
<b>FREQUENCY:</b>	600-700MHz
<b>VSWR:</b>	<2.0:1
<b>VERT BEAMWIDTH:</b>	70°
<b>HORIZ BEAM WIDTH:</b>	90°
<b>RATING :</b>	300 watts
<b>IMPEDANCE:</b>	50 ohms

**MECHANICAL SPECIFICATIONS:**

<b>MATERIAL:</b>	1" (2.54cm)aluminum U channel boom 3/8" (9.5mm) solid elements
<b>FINISH:</b>	UV inhibited polyester coat
<b>LENGTH:</b>	16" (41cm)
<b>WEIGHT:</b>	<4 lbs. (1.8kg)
<b>MOUNT:</b>	2 3/8" mast, stainless hardware
<b>FLAT PLATE AREA:</b>	.147 ft <sup>2</sup>
<b>WIND RATING:</b>	125 MPH (201kph)
<b>WIND LOAD:</b>	8.8 lbs. (3.9kg)