

Technical Specification

806-970 MHz 8.6dB Gain

HEAVY DUTY YAGI ANTENNA

High Performance: These antennas provide 8.6dBd, wide band performance.

Rugged and weatherproof: The construction of our heavy duty yagis feature 1"aluminum U channel with 3/8" solid elements. All exposed areas are coated with UV polyester. The balun assembly is filled and sealed with elastomeric thermoplastic.

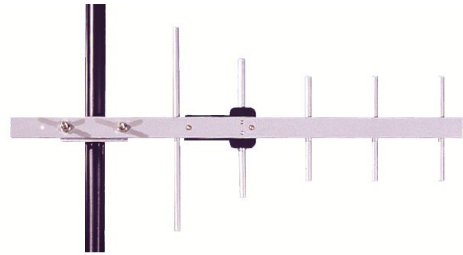
Lightweight and Durable: These antennas are easily installed by one person.

Termination Options:

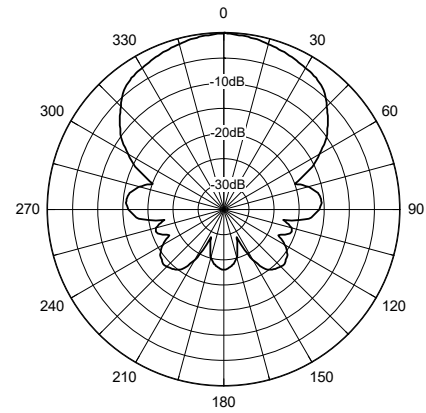
Type A: 12" Teflon pigtail with N connector.

Type B: Direct TNC connection to the balun.

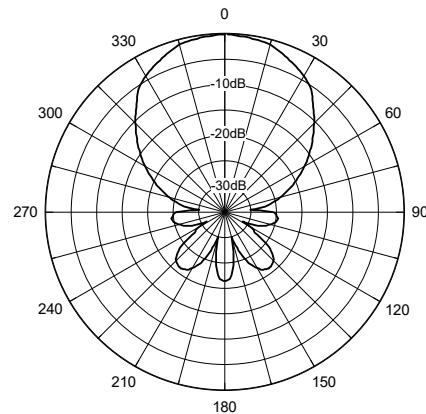
Type D: Direct N connection to the balun.



Horizontal Pattern



Vertical Pattern



ELECTRICAL SPECIFICATIONS:

GAIN: 8.6dBd F/B 18dB

FREQUENCY:
-06 806-896MHz <2:1 VSWR
-66 866-960MHz <2:1 VSWR
-96 896-970MHz <2:1 VSWR

VERT BEAMWIDTH: 55°

HORIZ BEAM WIDTH: 65°

RATING : 300 watts, 50 ohms impedance

MECHANICAL SPECIFICATIONS:

MATERIAL: 1" (2.54cm)aluminum U channel boom
3/8" (9.5mm)solid elements

FINISH: UV inhibited polyester coat

LENGTH: 21" (53cm)

WEIGHT: <4 lbs. (1.8kg)

MOUNT: 2 3/8" (6cm) mast, stainless hardware

FLAT PLATE AREA: .206 ft²

WIND RATING: 125 MPH (201kph)

WIND LOAD: 12.3 lbs.(5.5kg)