

**Technical Specification**

**200-250MHz Specify Center Frequency**

**Y6625HD**

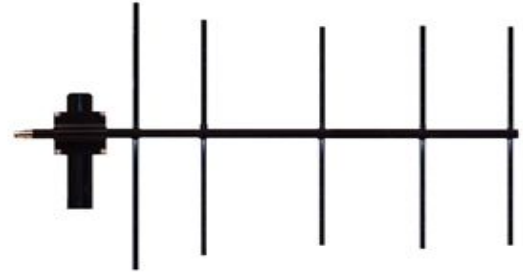
**FULLY WELDED YAGI  
8.6dBd GAIN**

**High Performance:** These antennas provide 8.6dBd, wide band performance.

**Rugged and weatherproof:** The construction of our heavy duty end fed yagis feature aluminum heavy wall tubing and 3/8" solid elements that are fully welded to the boom. All exposed areas are coated with UV polyester. The feed system is completely enclosed.

**Lightweight and Durable:** These antennas are easily installed by one person.

**Termination : Direct Female Type "N"**



**ELECTRICAL SPECIFICATIONS:**

**GAIN:** 8.6dBd

**FREQUENCY:** 200-250MHz  
4MHz@1.5:1  
8MHz@2:1

**FRONT TO BACK:** 18dB

**VERT BEAMWIDTH:** 45°

**HORIZ BEAM WIDTH:** 55°

**RATING :** 300 watts, 50 ohms impedance

**MECHANICAL SPECIFICATIONS:**

**MATERIAL:** 1" (2.54cm)dla heavy wall aluminum boom  
3/8" (9.5mm)solid elements welded to the boom

**FINISH:** UV inhibited polyester coat

**LENGTH:** 52" (1.3m)

**WIDTH:** 30" (76cm) (longest element)

**WEIGHT:** 3 lbs.(7.6cm)

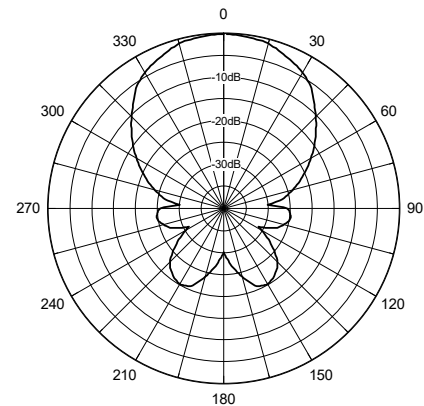
**MOUNT:** 2 3/8" (6cm)

**FLAT PLATE AREA:** .65 ft<sup>2</sup>

**WIND RATING:** 125 MPH (201kph)

**WIND LOAD:** 35 lbs (15.8kg)

**Horizontal Pattern**



**Vertical Pattern**

