

## Technical Specification

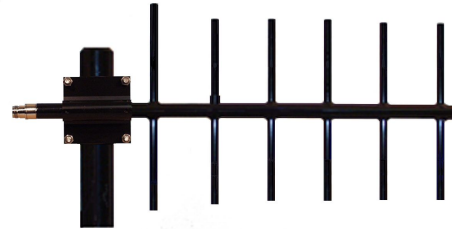
**400-460 MHz - A                      FULLY WELDED YAGI 9.5dBd / 11.5dBi GAIN**  
**425-485 MHz - B**  
**450-512 MHz - C**

**High Performance:** These antennas provide 9.5dBd, wide band performance.

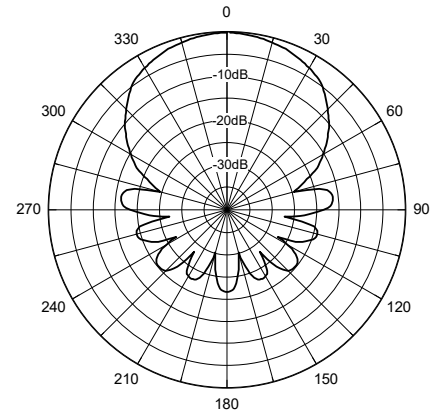
**Rugged and weatherproof:** The construction of our heavy duty end fed yagis feature aluminum heavy wall tubing and 3/8" solid elements. All exposed areas are coated with UV polyester. The feed system is completely enclosed.

**Lightweight and Durable:** These antennas are easily installed by one person.

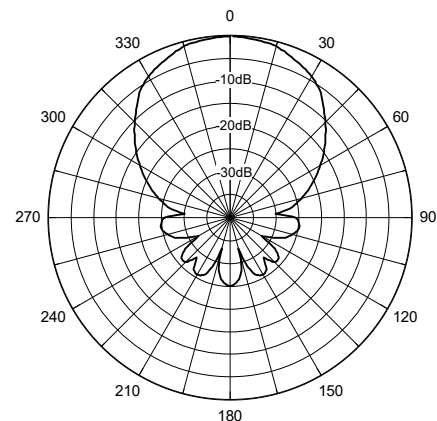
**Termination : Direct Female Type "N"**



**Horizontal Pattern**



**Vertical Pattern**



### ELECTRICAL SPECIFICATIONS:

**GAIN:** 9.5dBd  
**FREQUENCY: A** 400-460MHz  
**FREQUENCY: B** 425-485MHz  
**FREQUENCY: C** 450-512MHz  
**VSWR:** <1.5:1  
**FRONT TO BACK:** 20dB  
**VERT BEAMWIDTH:** 45°  
**HORIZ BEAM WIDTH:** 55°  
**RATING :** 300 watts, 50 ohms impedance

### MECHANICAL SPECIFICATIONS:

**MATERIAL:** 1" (2.54cm) heavy wall aluminum  
 3/8" (3.5cm) solid elements  
**FINISH:** UV inhibited polyester coat  
**LENGTH:** 24" (61cm)  
**WIDTH:** 15" (38cm)  
**WEIGHT:** 3 lbs. (1.3kg)  
**MOUNT:** 2 3/8" (6.1cm)  
**FLAT PLATE AREA:** .42 ft<sup>2</sup>  
**WIND RATING:** 125 MPH (201kph)  
**WIND LOAD:** 25.5 lbs (63.5cm)