

High Performance: This 12 element yagi provides 12dBi gain performance

Rugged and weatherproof: The construction of this standard duty yagi features a 1/2" aluminum U channel with 1/4" solid elements. All exposed areas are coated with UV polyester. The balun assembly is filled and sealed with elastomeric thermoplastic.

Lightweight and Durable: This antenna can easily be installed by one person.

Termination Options:

Type A: 12" Teflon pigtail with N connector.

Type B: Direct TNC connection to the balun.

ELECTRICAL SPECIFICATIONS:

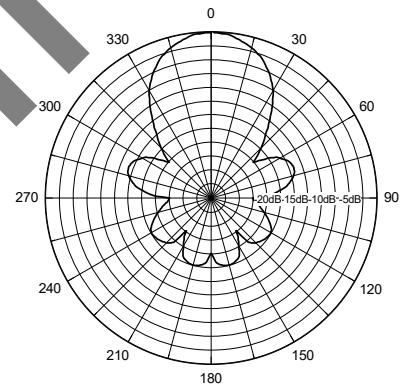
GAIN: 12dBi
FRONT TO BACK: 20dB
FREQUENCY: 900-930MHz <2:1 VSWR
VERT BEAMWIDTH: 35°
HORIZ BEAM WIDTH: 38°
RATING : 150 watts
IMPEDANCE: 50 ohms

MECHANICAL SPECIFICATIONS:

MATERIAL: 1/2" (1.27cm) Aluminum U channel boom
 1/4" (6.3mm) solid elements
FINISH: UV inhibited polyester coat
LENGTH: 60" (1.52m)
WEIGHT: <4 lbs. (1.8kg)
MOUNT: 2 3/8" (6cm) mast, stainless hardware
FLAT PLATE AREA: .353 ft²
WIND RATING: 125 MPH (201kph)
WIND LOAD: 21.2 lbs. (9.6kg)



Horizontal Pattern



Vertical Pattern

